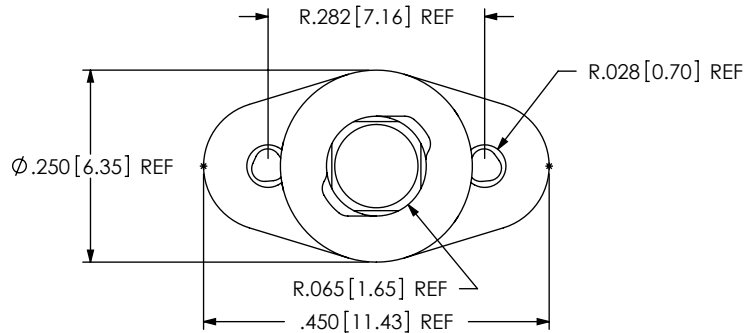


DO NOT SCALE FROM THIS PRINT



CCH-J-XX
OF POSITIONS
-01
C -02
C -04

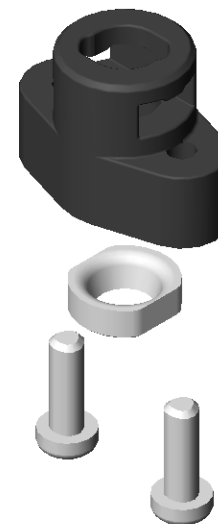
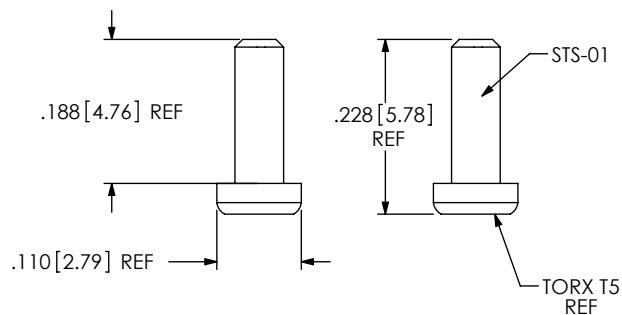
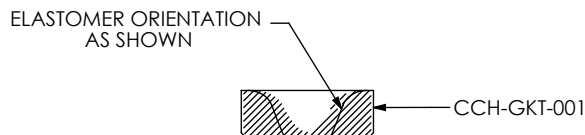
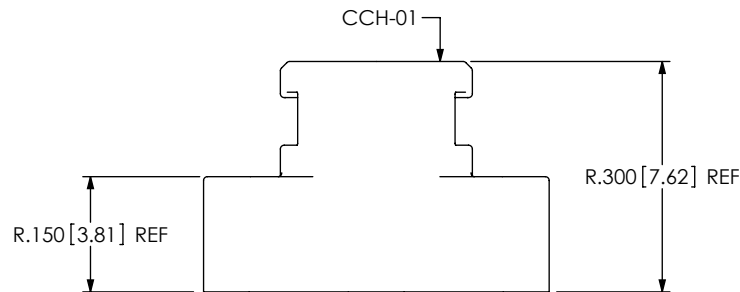


FIG. 1
CCH-J-0T SHOWN

C

TABLE 1 - COMPONENT QUANTITIES			
COMPONENT	-01	-02	-04
CCH-XX	1	1	1
CCH-GKT-001	1	2	4
STS-01	3	3	5
BG-CCH	1	1	1
PL-BG-CCH	1	1	1

NOTES:

1. © REPRESENTS A CRITICAL DIMENSION.
2. PARTS TO BE PACKAGED IN BG-CCH BAG WITH PL-BG-CCH LABEL AS FOLLOWS:
CCH-J-01: 1 CCH-01, 1 CCH-GKT-001, & 3 STS-01 SCREWS
3. NOTE DELETED.
4. TIGHTEN STS-01 SCREWS TO 1.8 - 2.1 IN-LBS.
5. NOTE DELETED.

UNLESS OTHERWISE SPECIFIED, DIMENSIONS ARE IN INCHES. TOLERANCES ARE:
DECIMALS ANGLES
.XX: ±.01 [.3] 2°
.XXX: ±.005 [.13]
.XXXX: ±.0020 [.051]

PROPRIETARY NOTE
THIS DOCUMENT CONTAINS INFORMATION CONFIDENTIAL AND PROPRIETARY TO SAMTEC, INC. AND SHALL NOT BE REPRODUCED OR TRANSFERRED TO OTHER DOCUMENTS OR DISCLOSED TO OTHERS OR USED FOR ANY PURPOSE OTHER THAN THAT WHICH IT WAS OBTAINED WITHOUT THE EXPRESSED WRITTEN CONSENT OF SAMTEC, INC.



520 PARK EAST BLVD, NEW ALBANY, IN 47150
PHONE: 812-944-6733 FAX: 812-948-5047
e-Mail: info@SAMTEC.com code: 55322

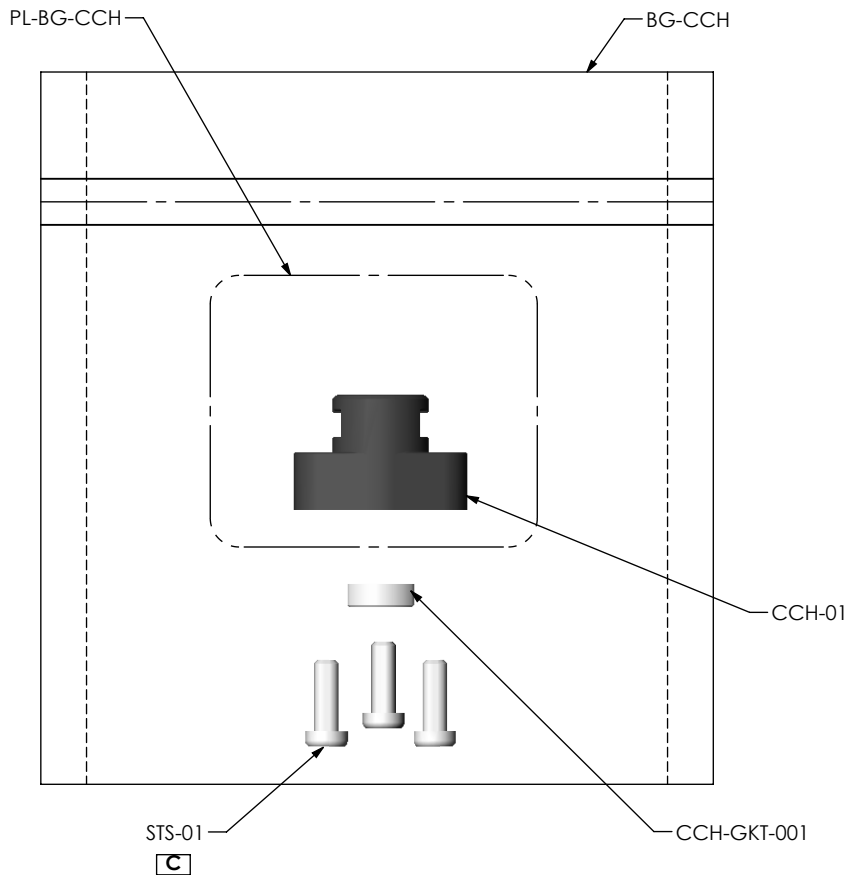
MATERIAL: DO NOT SCALE DRAWING SHEET SCALE: 2:1
INSULATOR: VECTRA E130, COLOR: BLACK
GASKET: LAIRD ECE, #89

DESCRIPTION:
SINGLE COMPLIANT COAX ASSEMBLY

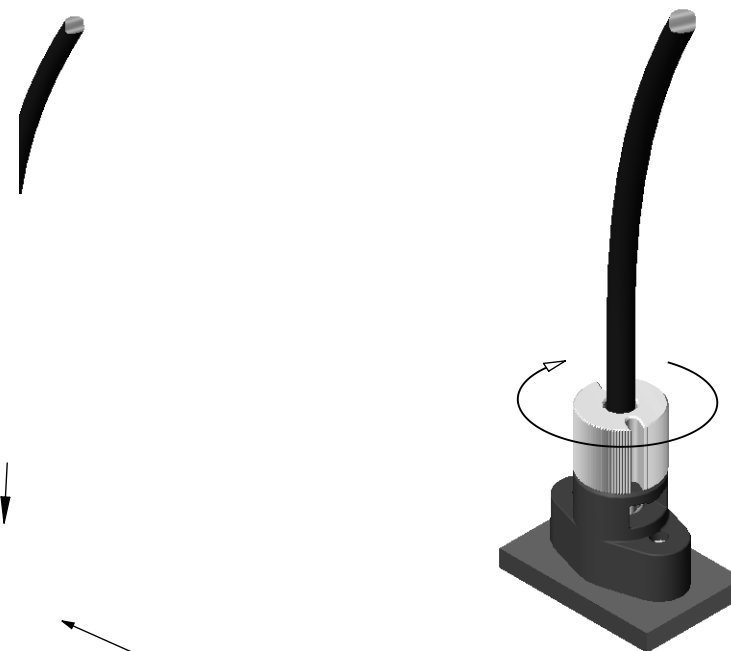
DWG. NO.
CCH-J-XX

BY: GAYNOR 6/27/2008 SHEET 1 OF 2

PACKAGING VIEW
CCH-J-01 SHOWN



APPLICATION VIEW
CCH-J-01 SHOWN



(SEE NOTE 4)

PROPRIETARY NOTE

THIS DOCUMENT CONTAINS INFORMATION CONFIDENTIAL AND PROPRIETARY TO SAMTEC, INC. AND SHALL NOT BE REPRODUCED OR TRANSFERRED TO OTHER DOCUMENTS OR DISCLOSED TO OTHERS OR USED FOR ANY PURPOSE OTHER THAN THAT WHICH IT WAS OBTAINED WITHOUT THE EXPRESSED WRITTEN CONSENT OF SAMTEC, INC.

DO NOT SCALE DRAWING

SHEET SCALE: 1:0.666667



520 PARK EAST BLVD, NEW ALBANY, IN 47150
PHONE: 812-944-6733 FAX: 812-948-5047
e-Mail: info@SAMTEC.com code: 55322

DESCRIPTION:
SINGLE COMPLIANT COAX ASSEMBLY

DWG. NO.
CCH-J-XX

BY: GAYNOR 6/27/2008 SHEET 2 OF 2