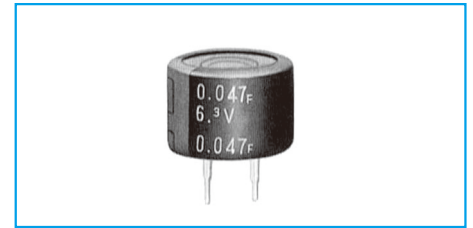
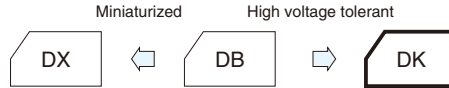


High Voltage Tolerance Capacitors

GREEN CAP

70°C

- High voltage tolerant (6.3V guaranteed) and highly reliable.
- Ideal for backing up of Li-battery-backed equipment such as cameras, video and telephone sets.



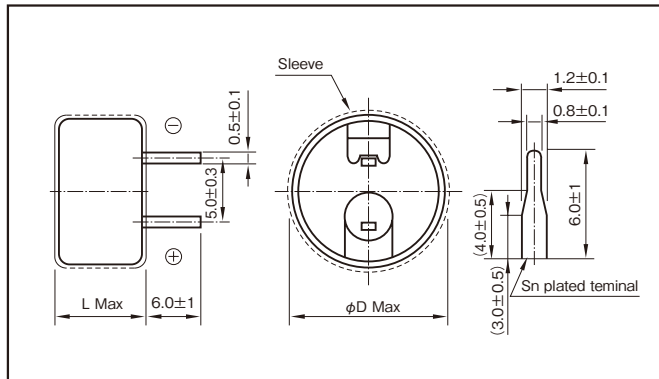
Marking color : White print on an indigo sleeve

Specifications

| Item | Performance | | | | | |
|---|---|---|-----|------|------|-----|
| Category temperature range (°C) | -25 to +70 | | | | | |
| Tolerance at rated capacitance (%) | -20 to +80 | | | | | |
| Internal resistance at 1 kHz | Rated Capacitance (F) | 0.047 | 0.1 | 0.47 | 0.68 | 1.0 |
| | Internal resistance (Ω) | 300 | 200 | 50 | 50 | 30 |
| Characteristics at high and low temperature | Percentage of capacitance change | Within ±30% of the value at 20°C | | | | |
| | Internal resistance | less than five times of the value at 20°C | | | | |
| Endurance (70°C) | Test time | 1000 hours | | | | |
| | Percentage of capacitance change | Within ±30% of the initial measured value | | | | |
| | Internal resistance | Less than four times of the initial specified value | | | | |
| Shelf life (70°C) | Test time : 1000 hours ; Same as endurance. | | | | | |
| Applicable standards | Conforms to JIS C5160-1 2009 (IEC 62391-1 2006) | | | | | |

Outline Drawing

Unit : mm



| Part numbering system (example : 6.3V0.1F) | | | |
|--|---|------------------------------|--------------------------|
| DK | — | 6R3 | D 104 T |
| Series code | | Max.operating voltage symbol | Rated capacitance symbol |

Part number is refer to below table.

Standard Ratings

| Max. operating voltage (V) | Rated capacitance (F) | ELNA Parts No. | φD×L (mm) |
|----------------------------|-----------------------|----------------|-----------|
| 6.3 | 0.047 | DK-6R3D473T | 13.5×9.5 |
| 6.3 | 0.1 | DK-6R3D104T | 13.5×9.5 |
| 6.3 | 0.47 | DK-6R3D474T | 21.5×9.5 |
| 6.3 | 0.68 | DK-6R3D684T | 21.5×9.5 |
| 6.3 | 1.0 | DK-6R3D105T | 21.5×9.5 |

NOTE

Design, Specifications are subject to change without notice. Ask factory for technical specifications before purchase and/or use.