

ALLEN AVIONICS, INC.

14T

DIL 14 PIN 5 TAP FLAT LEAD ACTIVE

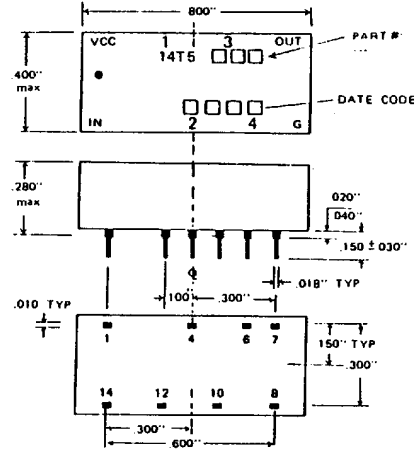
14HT

DIL 14 PIN 5 TAP FLAT LEAD MEASURED AT BOTH EDGES

SPECIFICATIONS:

- Operating temperature range 0°C to +70°C (-55°C to +125°C on request).
- Supply voltage: 5.0 ± 0.25VDC.
- Supply Current: ICCH 30mA max. ICCL 60mA max.
- Input pulse amplitude: 3.2volts.
- Input pulse width: min 40% of total delay.
- Input pulse PPR: min 3 × pulse width.
- Input rise time: 2.0ns.
- Output rise time: 4.0ns max.

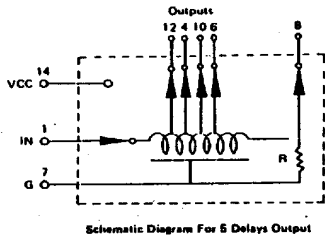
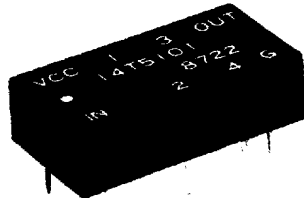
MECHANIC:



NOTES:

- (1) Delay measured at 1.5 volts on leading edge only with no loads on output.
- (2) Rise time measured from 0.75 volts to 2.4 volts.
- (3) Others upon request.

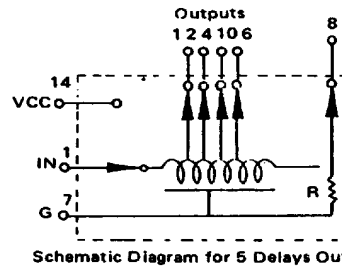
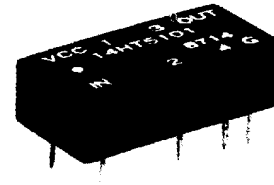
14T



PART NO.	TOTAL DELAY (ns)	TAP TO TAP (ns)
14T5200	20±2	4±2
14T5250	25±2	5±2
14T5300	30±2	6±2
14T5400	40±2	8±2
14T5500	50±2.5	10±2
14T5600	60±3	12±2
14T5750	75±3.7	15±2
14T5101	100±5	20±2
14T5125	125±6.2	25±2

PART NO.	TOTAL DELAY (ns)	TAP TO TAP (ns)
14T5151	150±7.5	30±2
14T5175	175±8.7	35±2
14T5201	200±10	40±2
14T5251	250±12.5	50±2.5
14T5301	300±15	60±3
14T5351	350±17.5	70±3.5
14T5401	400±20	80±4
14T5451	450±22.5	90±4.5
14T5501	500±25	100±5

14HT



PART NO.	TOTAL DELAY (ns)	TAP TO TAP (ns)
14HT5250	25±2	5±2
14HT5300	30±2	6±2
14HT5400	40±2	8±2
14HT5500	50±2.5	10±2
14HT5600	60±3	12±2
14HT5750	75±3.7	15±2

PART NO.	TOTAL DELAY (ns)	TAP TO TAP (ns)
14HT5101	100±5	20±2
14HT5125	125±6.2	25±2
14HT5151	150±7.5	30±2
14HT5175	175±8.7	35±2
14HT5201	200±10	40±2
14HT5251	250±12.5	50±2.5