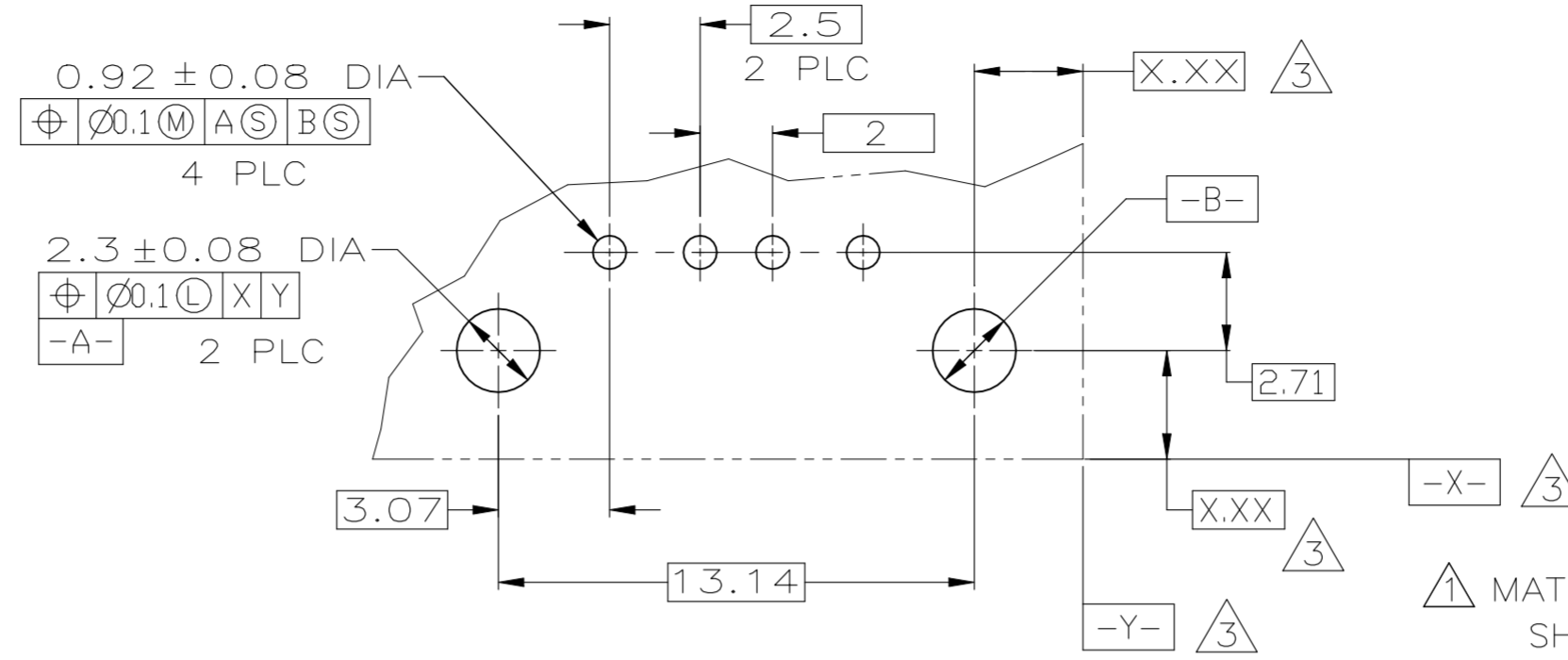
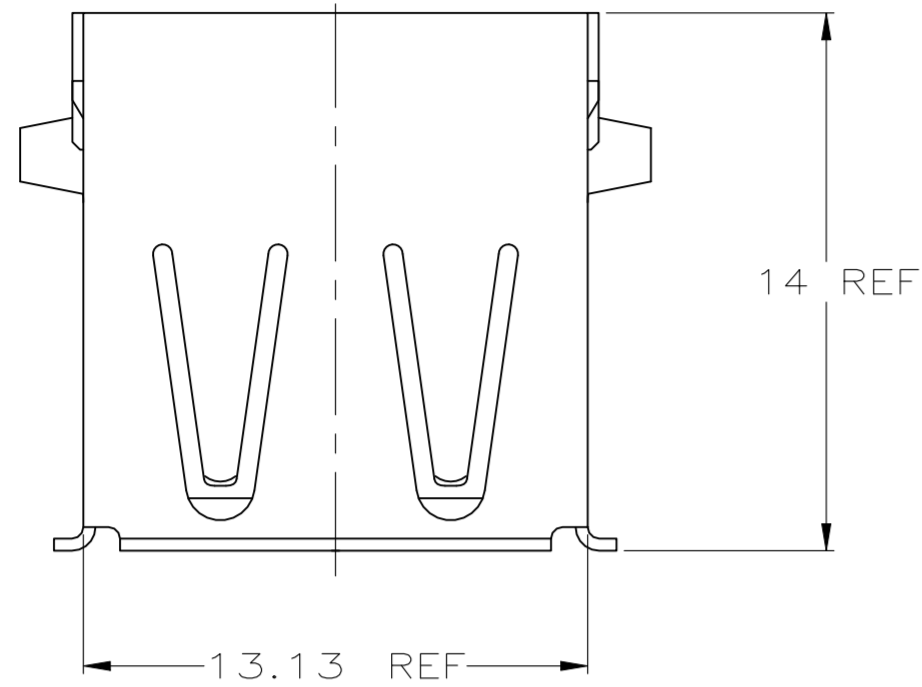
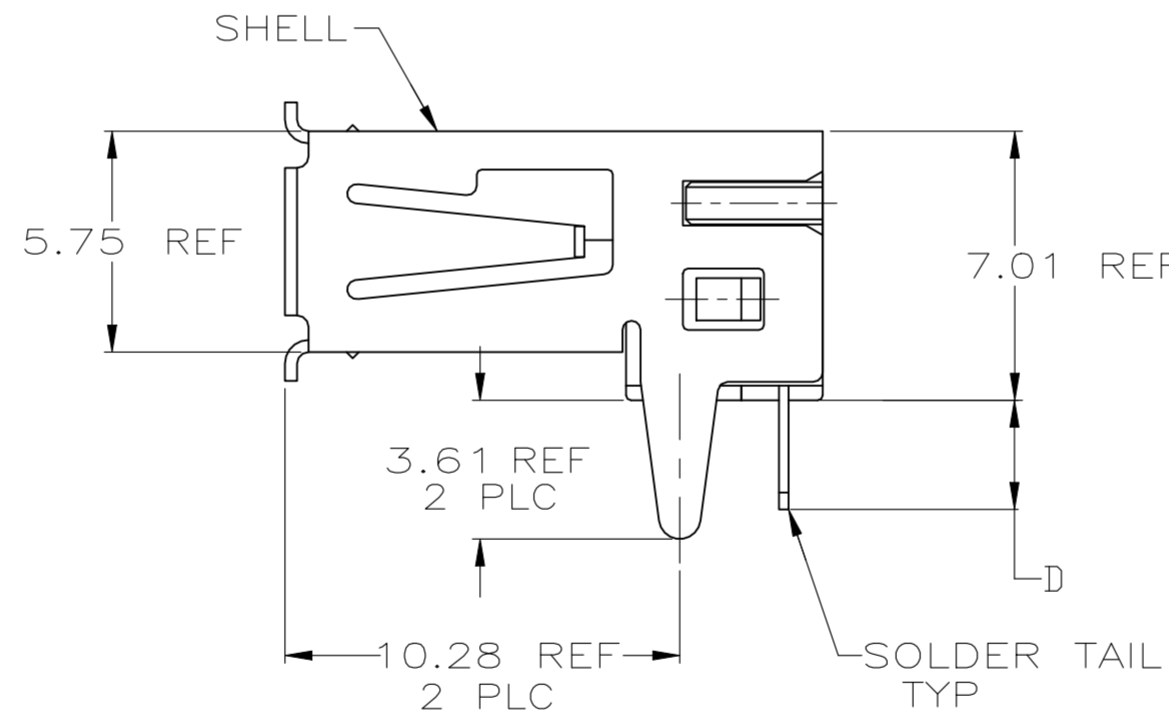
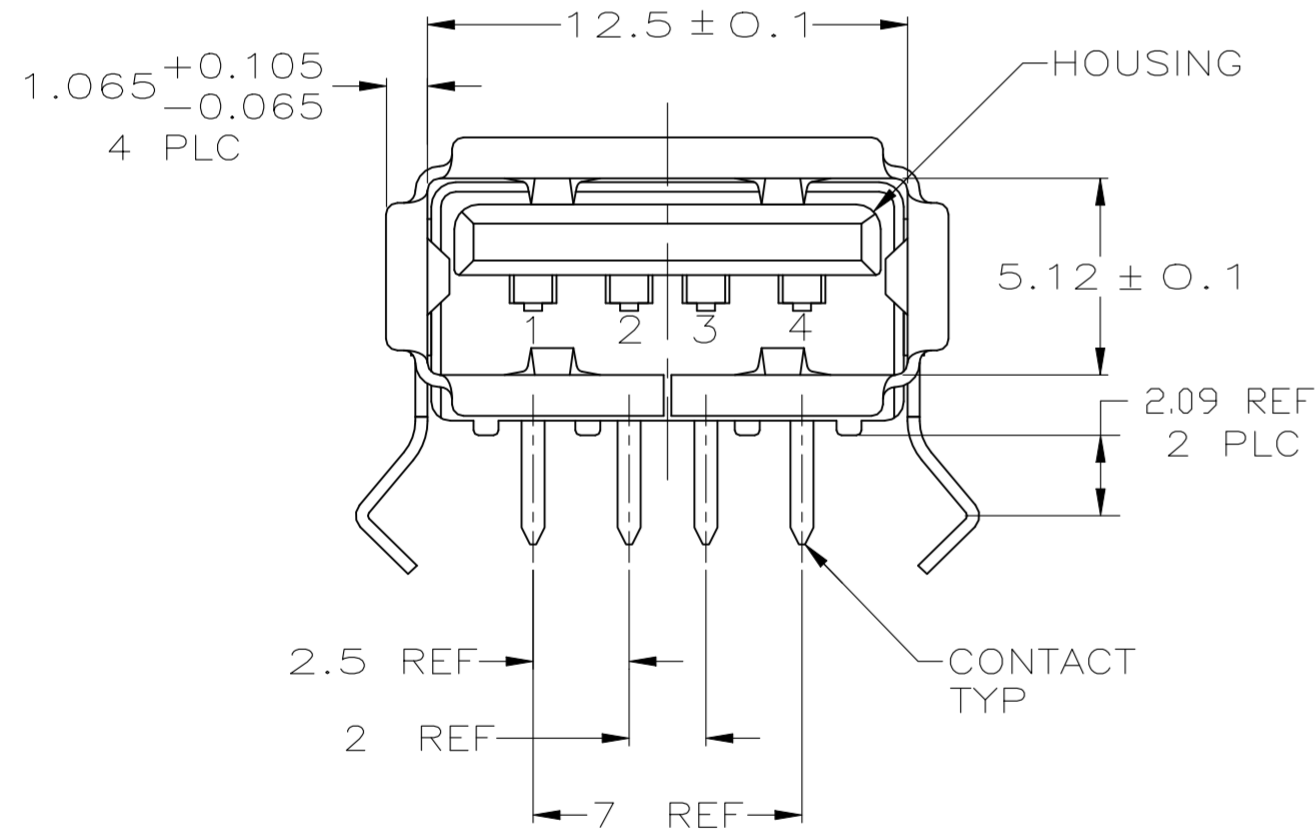


| REVISIONS | | | | | |
|-----------|-----|---------------------------|-----------|-----|------|
| P | LTR | DESCRIPTION | DATE | DWN | APVD |
| G | | REVISED PER ECN-21-125525 | 12NOV2021 | AK | SZ |



PC BOARD MOUNTING DIMENSIONS ④



- ① MATERIAL:
SHELL: STAINLESS STEEL & CONTACTS- COPPER ALLOY.
HOUSING: UL 94V-0 RATED, THERMOPLASTIC, COLOR SEE TABLE.
- ② PLATING:
CONTACTS: 0.076μm MINIMUM GOLD OVER 0.76μm MINIMUM PALLADIUM-NICKEL ON MATING AREA.
3.8μm MINIMUM MATTE TIN ON SOLDER TAILS.
BOTH OVER 1.27μm MINIMUM NICKEL.
CONTACT ALTERNATE PLATING: 0.76μm MIN GOLD ON MATING AREA, 3.80μm MIN MATTE TIN ON SOLDER TAILS, BOTH OVER 1.27μm MIN NICKEL.
SHELL: 2~5μm MINIMUM BRIGHT TIN
- ③ DATUM AND BASIC DIMENSIONS ESTABLISHED BY CUSTOMER.
- ④ RECOMMENDED PC BOARD THICKNESS OF 1.57 mm.
- ⑤ PLATING:
CONTACTS: 0.76μm MINIMUM PALLADIUM-NICKEL ON MATING AREA.
3.8μm MINIMUM MATTE TIN ON SOLDER TAILS.
BOTH OVER 1.27μm MINIMUM NICKEL.
SHELL: 2~5μm MINIMUM BRIGHT TIN

| | | | | |
|-----------------|-----------------------------|------|---------------|--------------|
| ⑤ | YES | 2.84 | BLACK | 2-292303-0 ⑨ |
| ② | YES | 2.29 | BLACK | 1-292303-9 ⑧ |
| ② | NO | 3.81 | BLACK | 1-292303-5 |
| ② | NO | 3.56 | BLACK | 1-292303-4 |
| ② | NO | 3.20 | BLACK | 1-292303-3 |
| ② | YES | 3.30 | BLACK | 1-292303-2 |
| ② | YES | 2.29 | BLACK | 292303-6 |
| ② | YES | 2.84 | NATURAL | 292303-5 |
| ② | YES | 2.84 | BLACK | 292303-4 |
| ② | NO | 2.84 | NATURAL | 292303-3 |
| ② | NO | 2.29 | BLACK | 292303-2 |
| ② | NO | 2.84 | BLACK | 292303-1 |
| CONTACT PLATING | HIGH TEMPERATURE COMPATIBLE | D | HOUSING COLOR | PART NUMBER |

THIS DRAWING IS A CONTROLLED DOCUMENT.

| | | |
|------|----------|---------|
| DWN | J.JIANG | 19FEB04 |
| CHK | S.YAO | 19FEB04 |
| APVD | T.SASAKI | 19FEB04 |

TE Connectivity Ltd.

RECEPTACLE ASSEMBLY RIGHT
ANGLE, 4 POSITION, T/H & SMT
USB, LEAD FREE VERSION

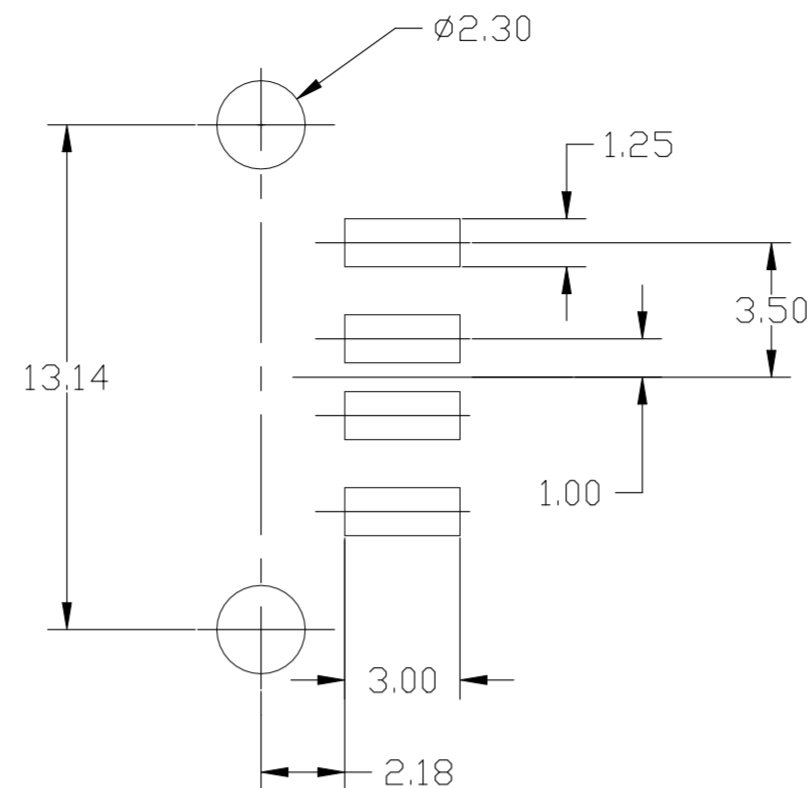
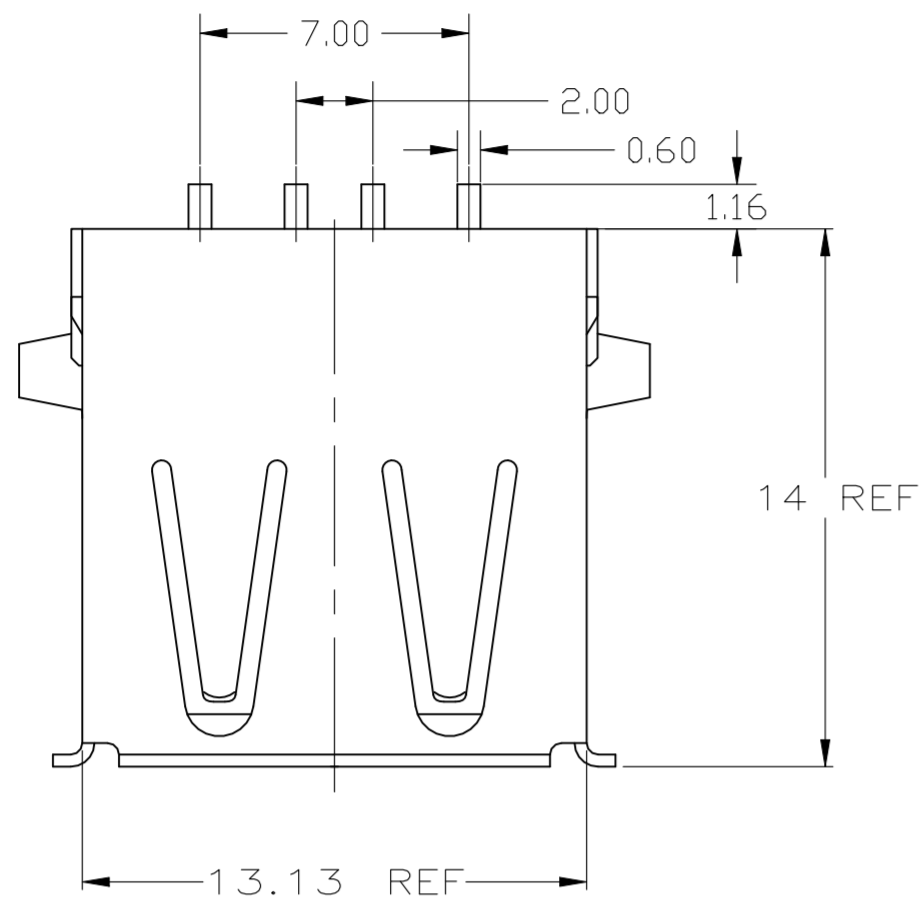
108-60034

SIZE: A2 CAGE CODE: 00779 DRAWING NO: C=292303

SCALE: 5:1 SHEET: 1 of 5 REV: G

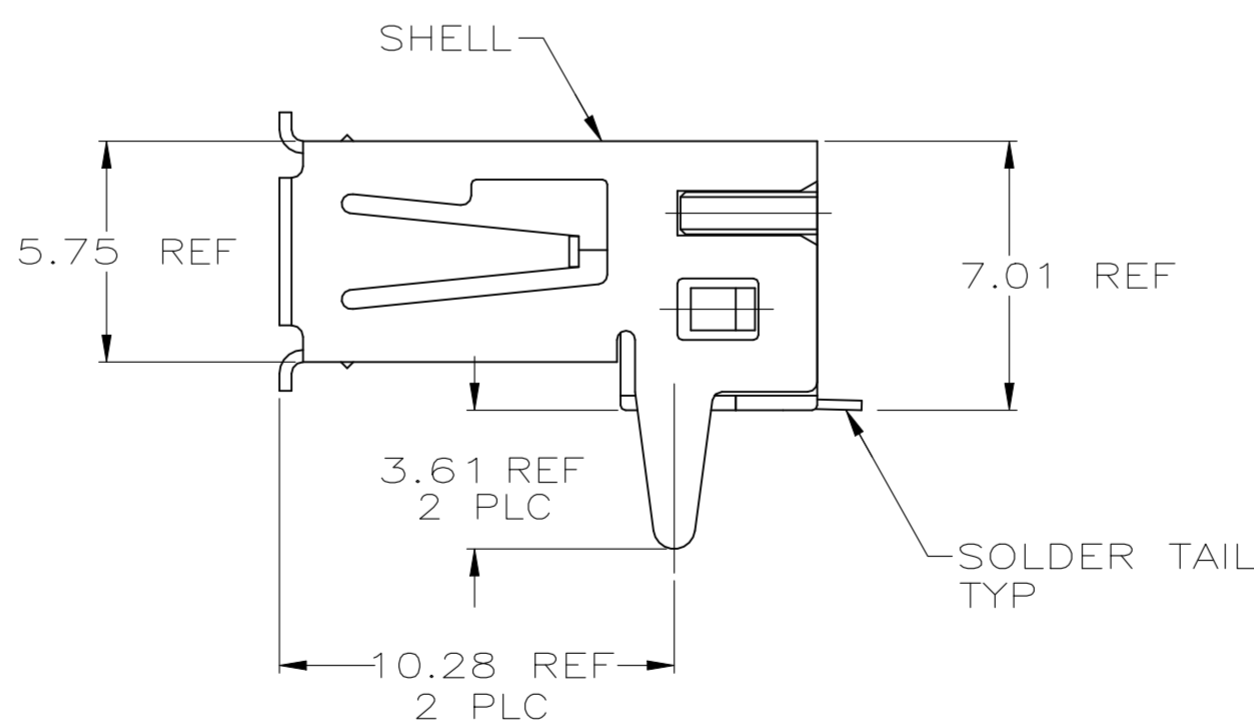
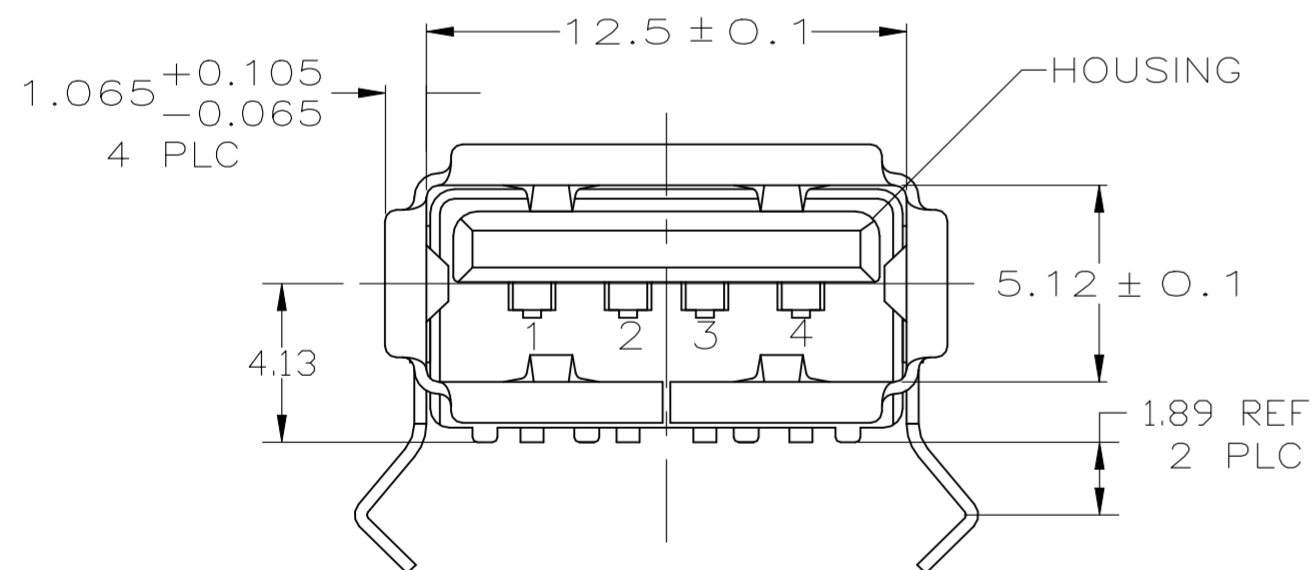
| DIMENSIONS: | TOLERANCES UNLESS OTHERWISE SPECIFIED: |
|-------------|--|
| mm | |
| 0 PLC | ± - |
| 1 PLC | ± - |
| 2 PLC | ± 0.25 |
| 3 PLC | ± - |
| 4 PLC | ± - |
| ANGLES | ± - |
| MATERIAL | FINISH |
| ① | SEE TABLE |

| REVISIONS | | | | | |
|-----------|-----|-------------|------|-----|------|
| P | LTR | DESCRIPTION | DATE | DWN | APVD |
| - | - | SEE SHEET 1 | - | - | - |



- ⚠ MATERIAL:
SHELL:- STAINLESS STEEL & CONTACTS- COPPER ALLOY.
HOUSING: UL 94V-0 RATED, THERMOPLASTIC, COLOR SEE TABLE.
- ⚠ PLATING:
CONTACTS: 0.076 μm MINIMUM GOLD OVER 0.76 μm MINIMUM PALLADIUM-NICKEL ON MATING AREA.
3.8 μm MINIMUM MATTE TIN ON SOLDER TAILS.
BOTH OVER 1.27 μm MINIMUM NICKEL.
CONTACT ALTERNATE PLATING: 0.76μm MIN GOLD ON MATING AREA, 3.80 μm MIN MATTE TIN ON SOLDER TAILS, BOTH OVER 1.27 μm MIN NICKEL.
SHELL: 2~5 μm MINIMUM BRIGHT TIN
- ⚠ RECOMMENDED PC BOARD THICKNESS OF 1.42.

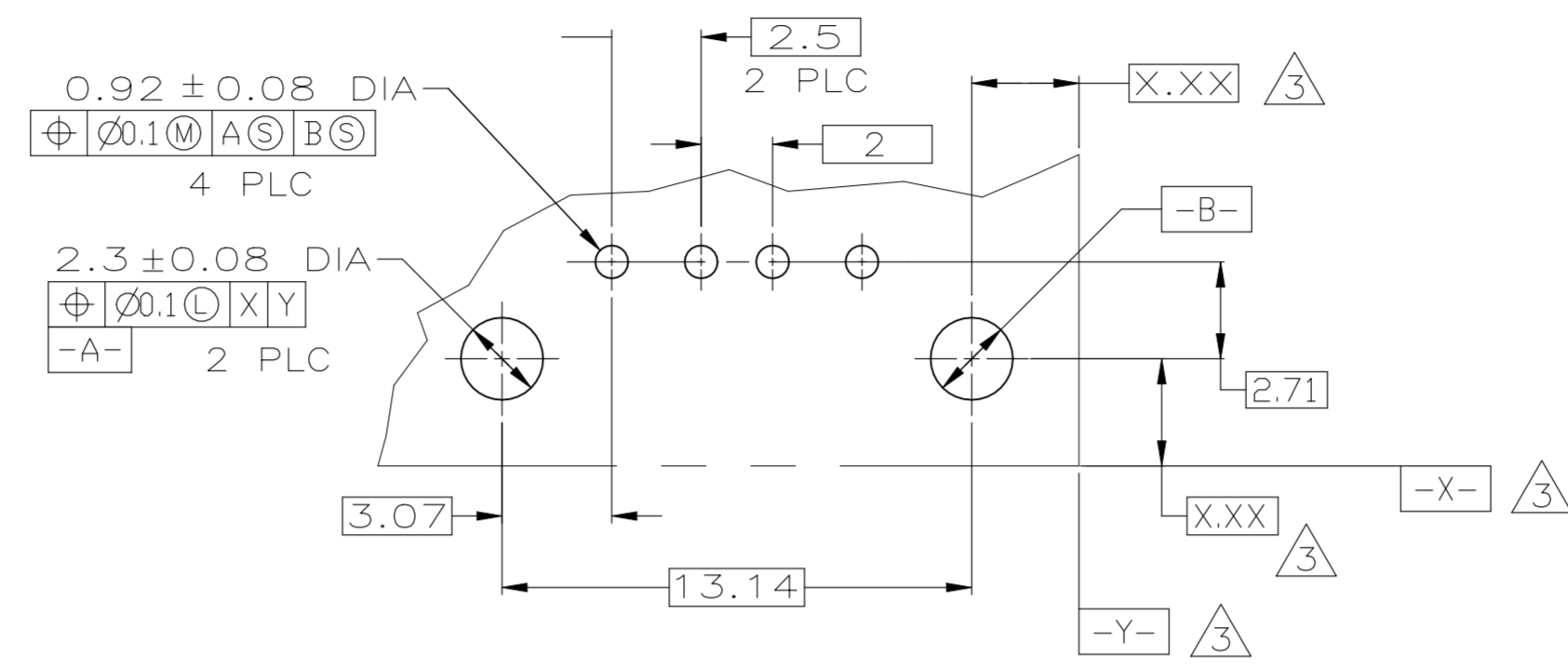
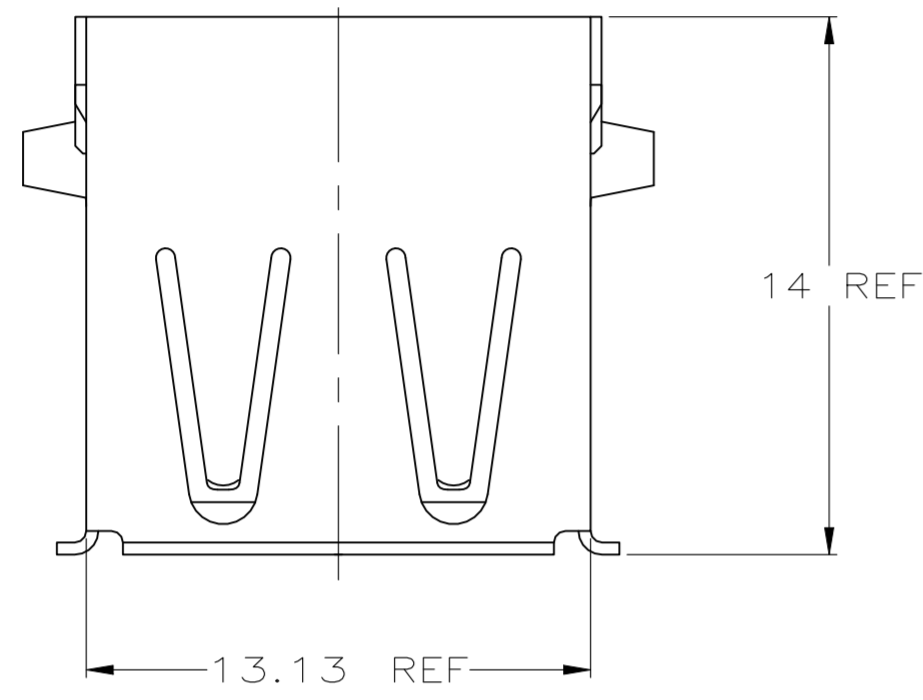
RECOMMENDED PC BOARD MOUNTING LAYOUT ⚠
(TOLERANCE=±0.05)



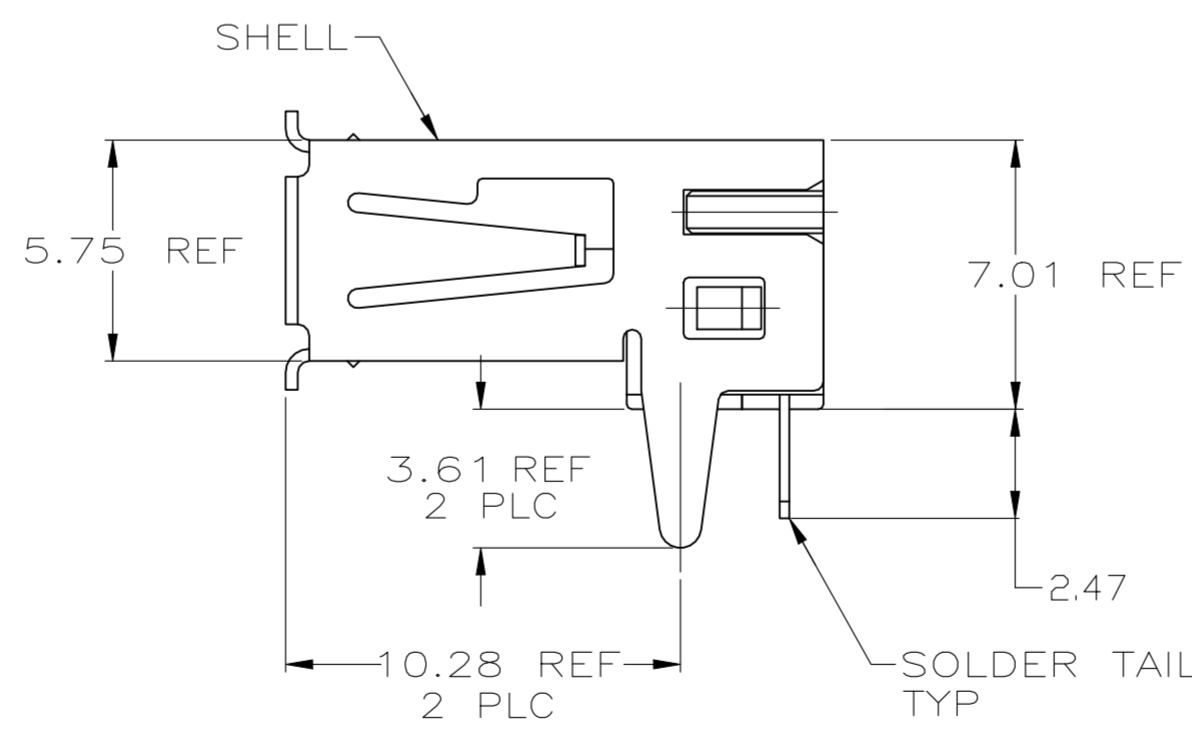
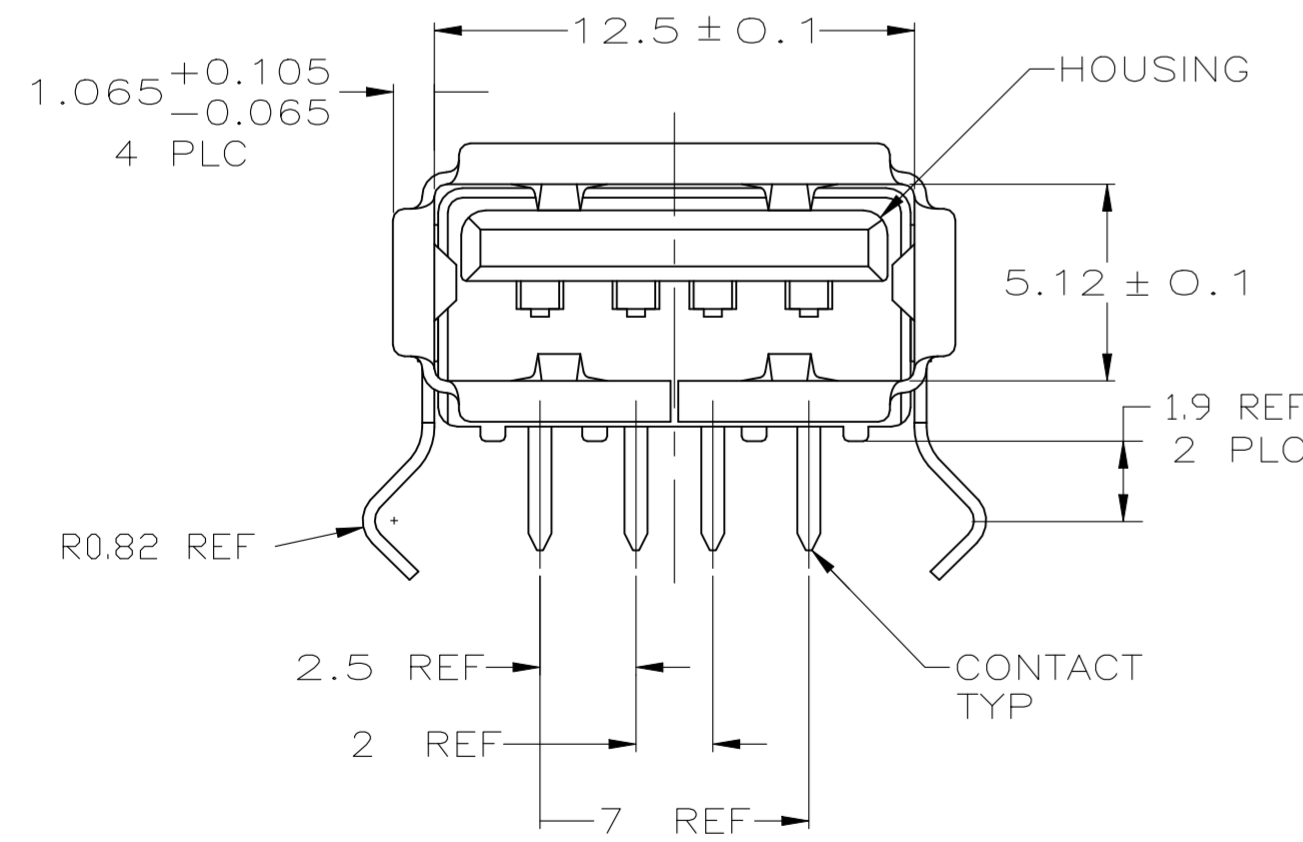
| | | | |
|----------|-----------------------------|---------------|----------------|
| OBSELETE | YES | BLACK | 3-292303-1 E10 |
| | YES | BLACK | 1-292303-1 |
| | YES | NATURAL | 292303-7 |
| | HIGH TEMPERATURE COMPATIBLE | HOUSING COLOR | PART NUMBER |

| | | | | |
|--|--|-----------------------------|------------------------------|---------------|
| THIS DRAWING IS A CONTROLLED DOCUMENT. | | DWN J.JIANG 19FEB04 | TE Connectivity Ltd. | |
| DIMENSIONS: mm | | CHK S.YAO 19FEB04 | | |
| TOLERANCES UNLESS OTHERWISE SPECIFIED: | | APVD T.SASAKI 19FEB04 | NAME | |
| 0 PLC ± - | | PRODUCT SPEC | RECEPTACLE ASSEMBLY RIGHT | |
| 1 PLC ± - | | APPLICATION SPEC | ANGLE, 4 POSITION, T/H & SMT | |
| 2 PLC ± 0.25 | | | USB, LEAD FREE VERSION | |
| 3 PLC ± - | | | SIZE | CAGE CODE |
| 4 PLC ± - | | | A2 | 00779 |
| ANGLES ± - | | | DRAWING NO | RESTRICTED TO |
| FINISH | | WEIGHT | C=292303 | - |
| ⚠ 1 | | CUSTOMER DRAWING | SCALE | SHEET |
| ⚠ 2 | | | 5:1 | 2 of 5 |
| | | | REV | G |

| REVISIONS | | | | | |
|-----------|-----|-------------|------|-----|------|
| P | LTR | DESCRIPTION | DATE | DWN | APVD |
| - | - | SEE SHEET 1 | - | - | - |



PC BOARD MOUNTING DIMENSIONS ⁴



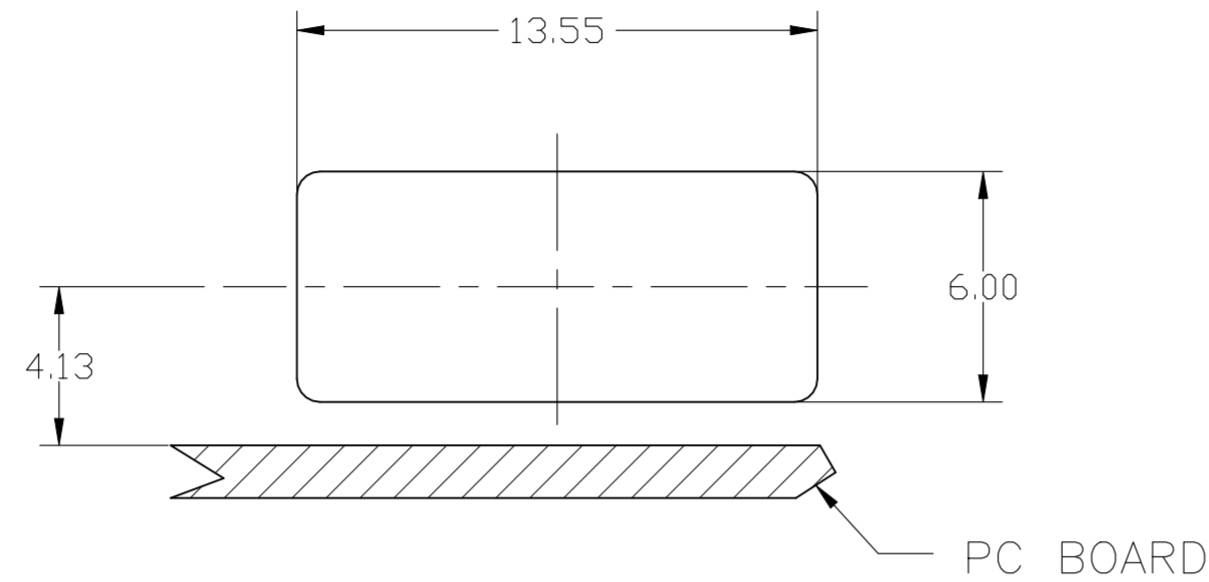
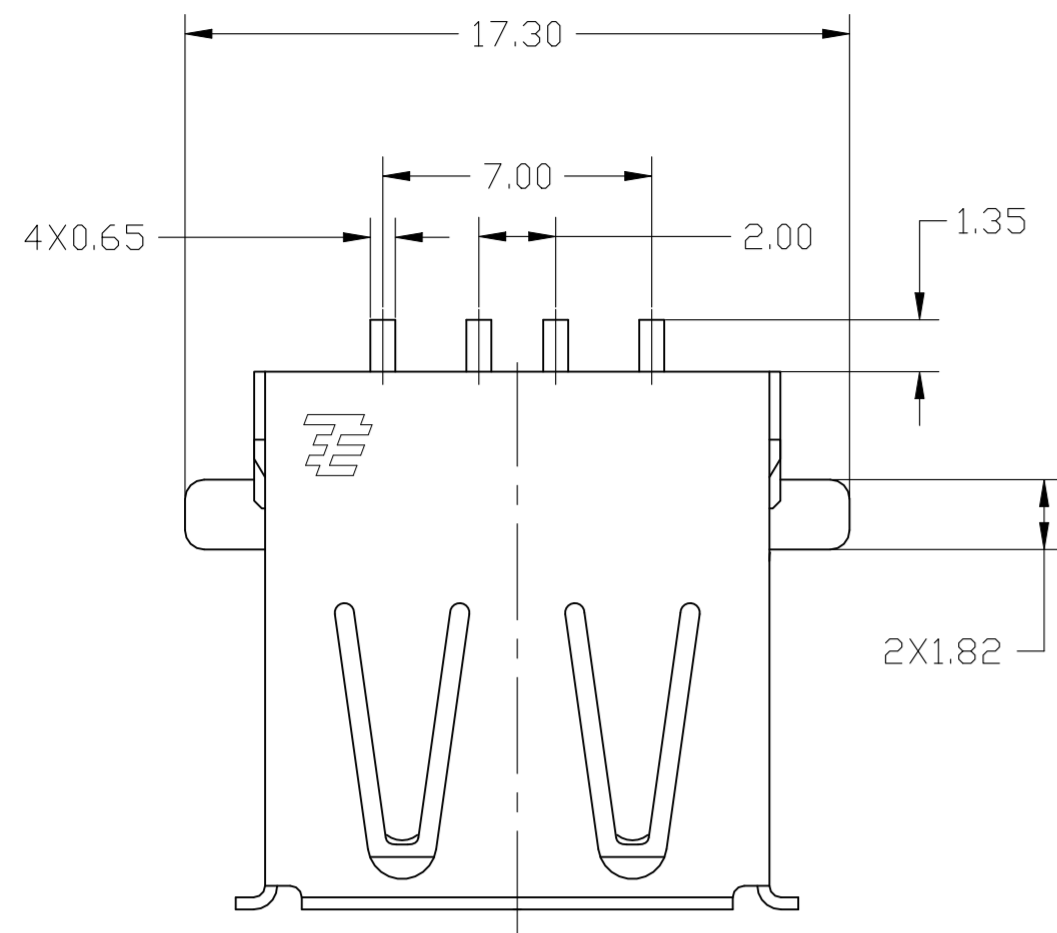
- ¹ MATERIAL:
SHELL:- STAINLESS STEEL & CONTACTS- COPPER ALLOY.
HOUSING: UL 94V-0 RATED, THERMOPLASTIC, COLOR SEE TABLE.
- ² PLATING:
CONTACTS: 0.076 μm MINIMUM GOLD OVER 0.76 μm MINIMUM PALLADIUM-NICKEL ON MATING AREA.
3.8 μm MINIMUM MATTE TIN ON SOLDER TAILS.
BOTH OVER 1.27 μm MINIMUM NICKEL.
CONTACT ALTERNATE PLATING: 0.76 μm MIN GOLD ON MATING AREA, 3.80 μm MIN MATTE TIN ON SOLDER TAILS, BOTH OVER 1.27 μm MIN NICKEL.
SHELL: 2~5 μm MINIMUM BRIGHT TIN
- ³ DATUM AND BASIC DIMENSIONS ESTABLISHED BY CUSTOMER.
- ⁴ RECOMMENDED PC BOARD THICKNESS OF 1.2.

| | | |
|---|---------------|-------------|
| NO | NATURAL | 292303-8 |
| HIGH TEMPERATURE COMPATIBLE | HOUSING COLOR | PART NUMBER |
| TE TE Connectivity Ltd. | | |
| RECEPTACLE ASSEMBLY RIGHT ANGLE, 4 POSITION, T/H & SMT USB, LEAD FREE VERSION | | |
| SIZE | CAGE CODE | DRAWING NO |
| A2 | 00779 | C=292303 |
| SCALE | SHEET | REV |
| 5:1 | 3 of 5 | G |

| | |
|--|--|
| THIS DRAWING IS A CONTROLLED DOCUMENT. | |
| DIMENSIONS: | TOLERANCES UNLESS OTHERWISE SPECIFIED: |
| mm | |
| | 0 PLC ± - |
| | 1 PLC ± - |
| | 2 PLC ± 0.25 |
| | 3 PLC ± - |
| | 4 PLC ± - |
| | ANGLES ± - |
| MATERIAL | FINISH |
| ¹ | ² |

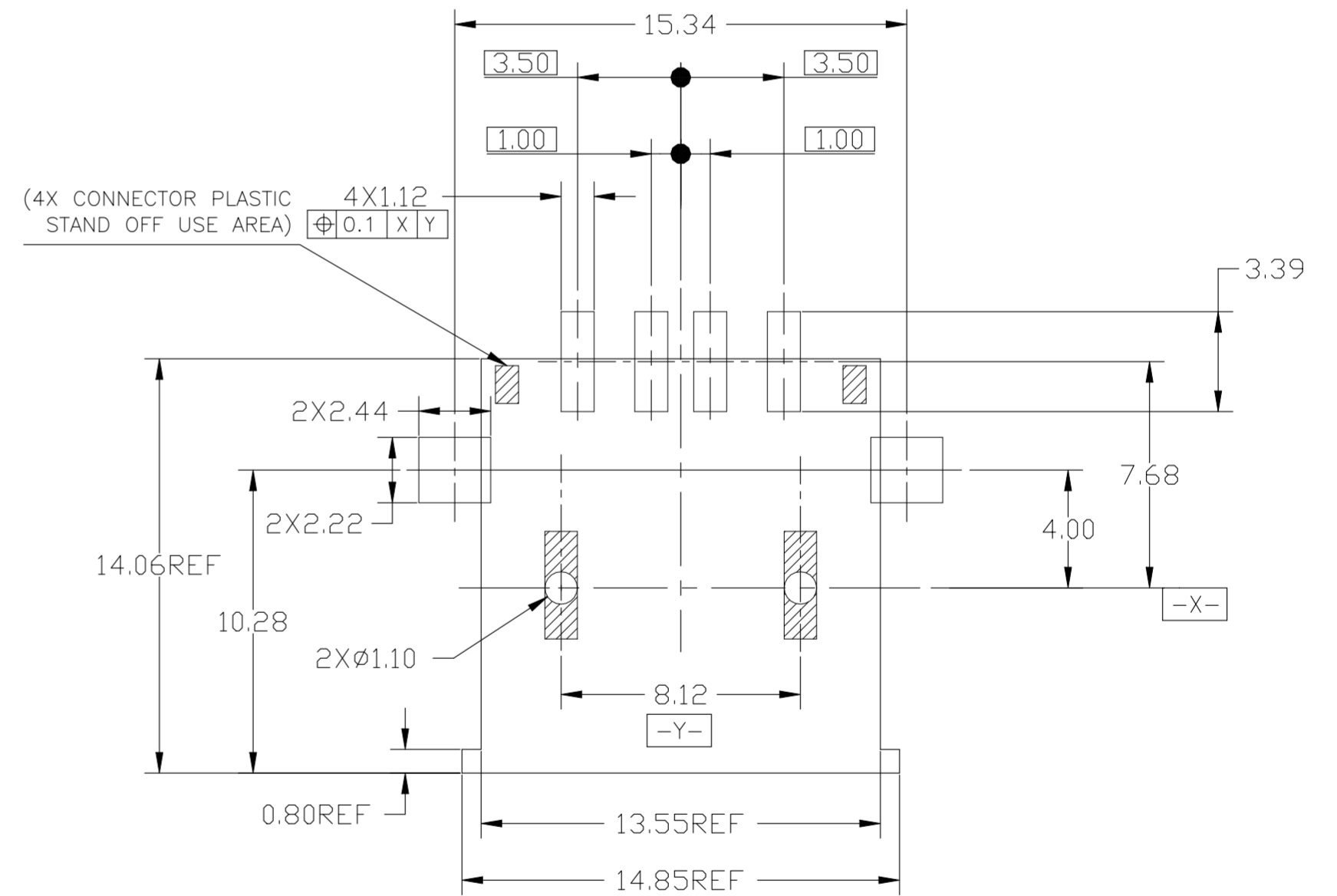
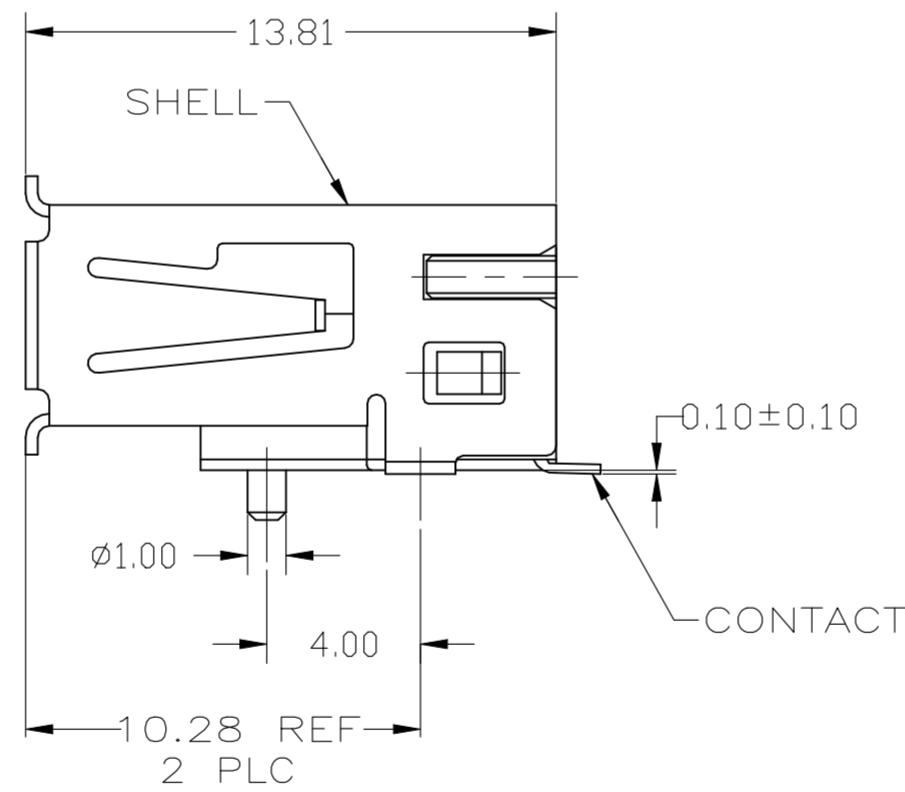
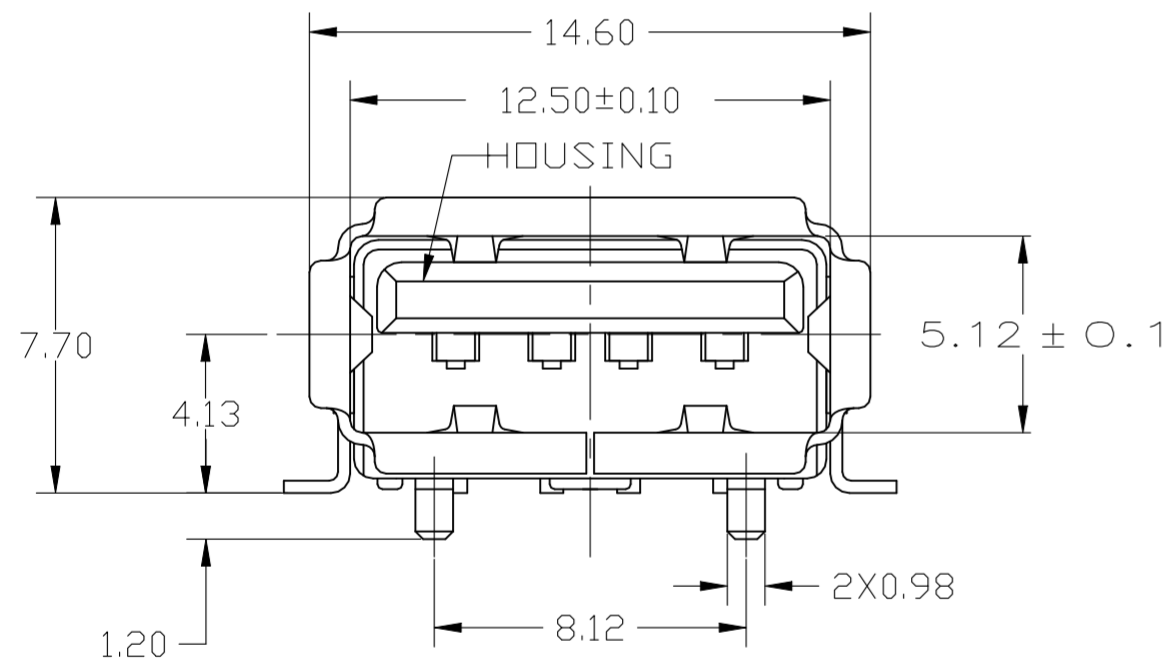
292303

| REVISIONS | | | | | |
|-----------|-----|-------------|------|-----|------|
| P | LTR | DESCRIPTION | DATE | DWN | APVD |
| - | - | SEE SHEET 1 | - | - | - |



RECOMMENDED MOUNTING PANEL CUTOUT

- ⚠ MATERIAL:
SHELL:- STAINLESS STEEL & CONTACTS- COPPER ALLOY.
HOUSING: UL 94V-0 RATED, THERMOPLASTIC, COLOR SEE TABLE.
- ⚠ PLATING:
CONTACTS: 0.076 μm MINIMUM GOLD OVER 0.76 μm MINIMUM PALLADIUM-NICKEL ON MATING AREA.
3.8 μm MINIMUM MATTE TIN ON SOLDER TAILS.
BOTH OVER 1.27 μm MINIMUM NICKEL.
CONTACT ALTERNATE PLATING: 0.76 μm MIN GOLD ON MATING AREA, 3.80 μm MIN MATTE TIN ON SOLDER TAILS, BOTH OVER 1.27 μm MIN NICKEL.
SHELL: 2~5 μm MINIMUM BRIGHT TIN
- ⚠ PANEL IS NEEDED FOR CUSTOMER.

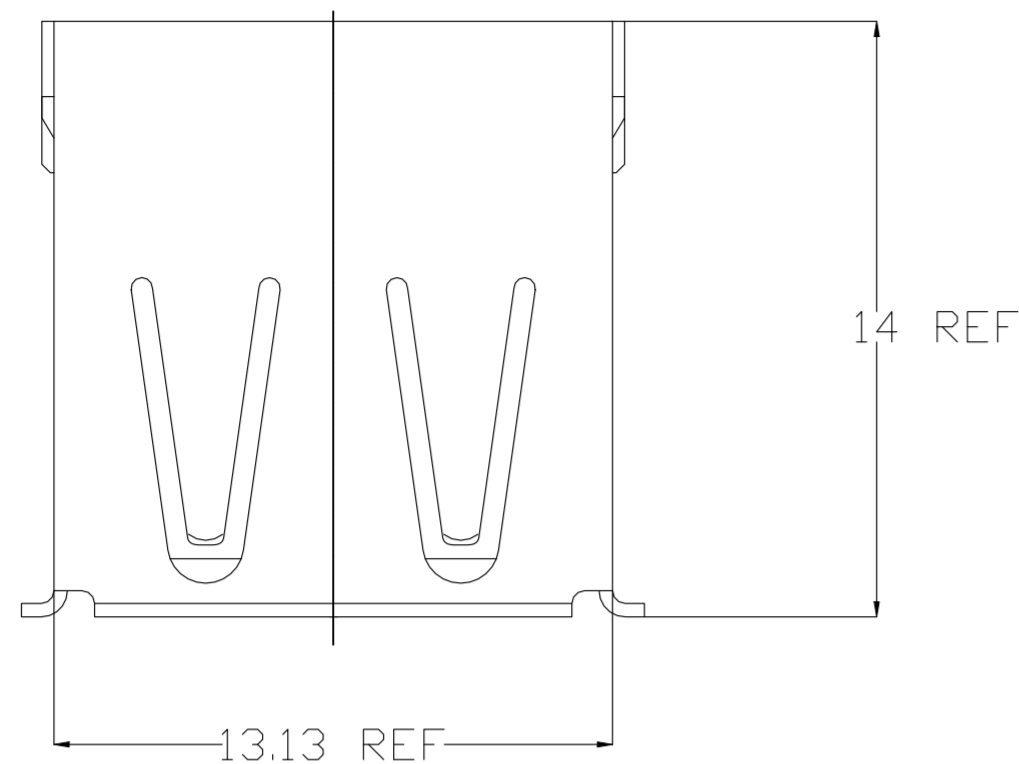


RECOMMENDED PC BOARD MOUNTING LAYOUT (TOLERANCE=±0.05)

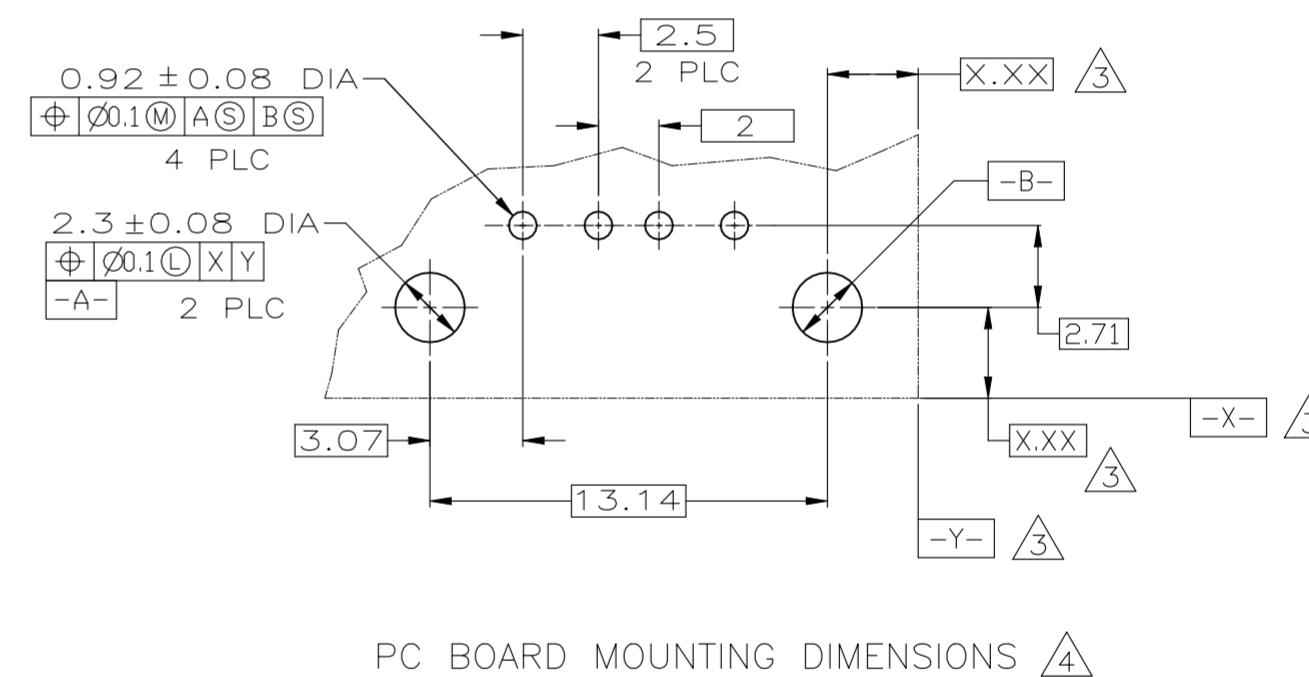
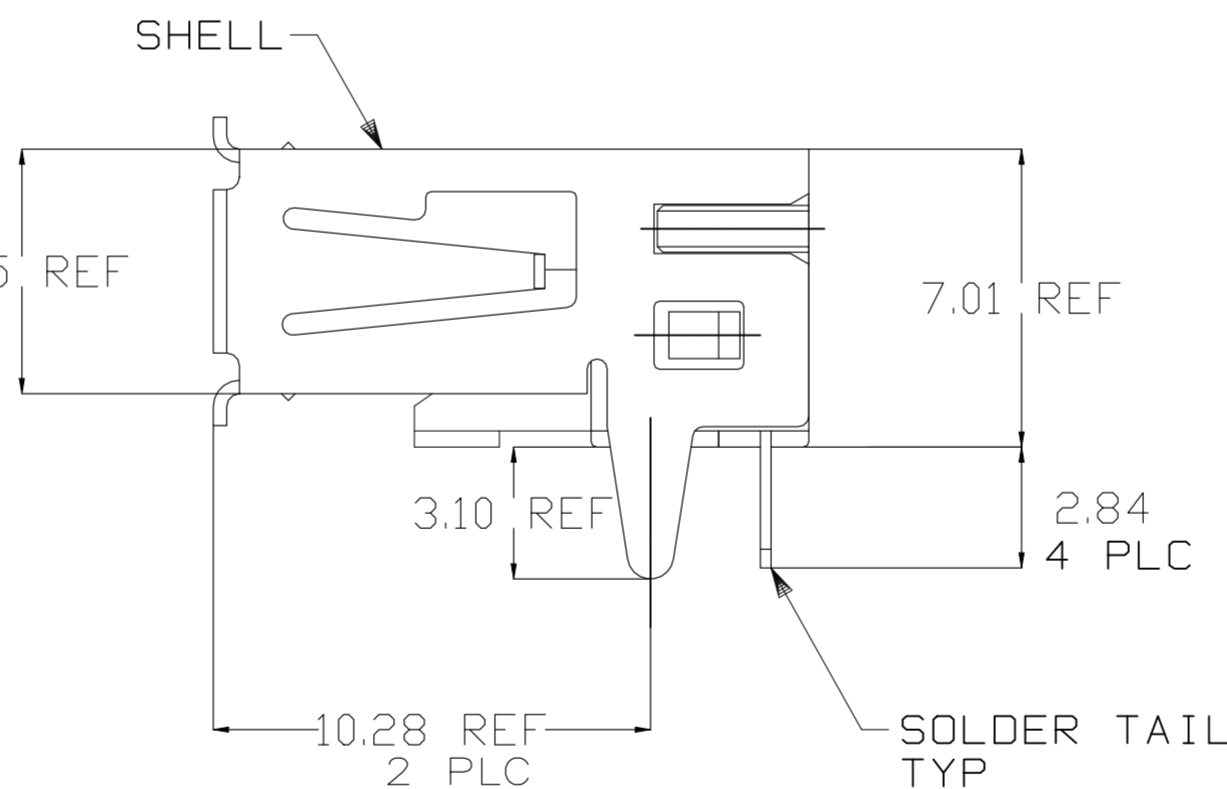
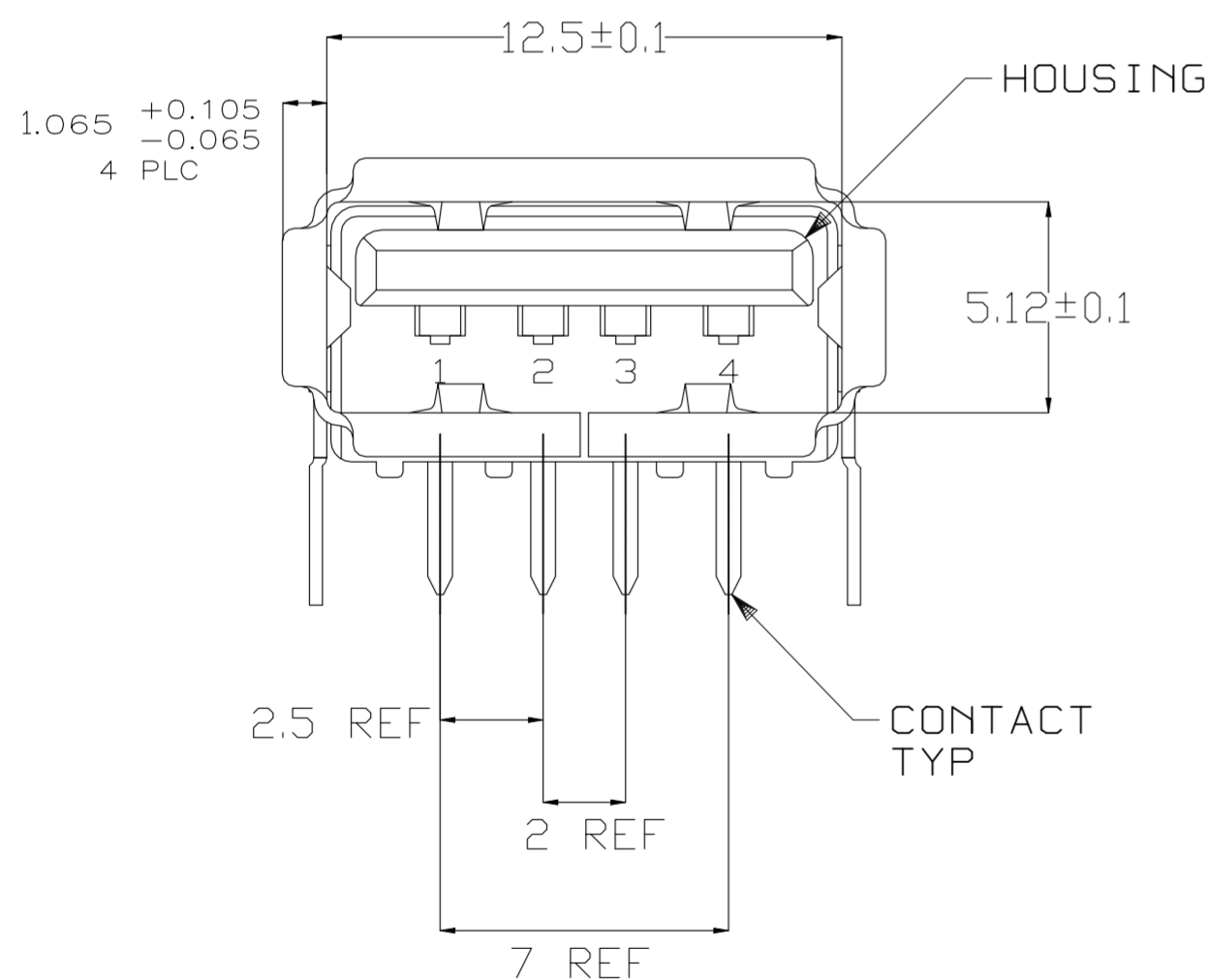
| | | |
|-----------------------------|---------------|-------------|
| YES | BLACK | 1-292303-6 |
| YES | NATURAL | 292303-9 |
| HIGH TEMPERATURE COMPATIBLE | HOUSING COLOR | PART NUMBER |

| | | | | | | | | | | | | | | | | |
|---|-------------|-----------------------------|---|--------------------|-----|-------|--------|-------|-----|-------|-----|--------|-----|---------------------------|------------|--------------------|
| THIS DRAWING IS A CONTROLLED DOCUMENT. | | DWN J.JIANG 19FEB04 | TE Connectivity Ltd. | | | | | | | | | | | | | |
| DIMENSIONS: mm | | CHK S.YAO 19FEB04 | | | | | | | | | | | | | | |
| TOLERANCES UNLESS OTHERWISE SPECIFIED: | | APVD T.SASAKI 19FEB04 | NAME RECEPTACLE ASSEMBLY RIGHT ANGLE, 4 POSITION, T/H & SMT USB, LEAD FREE VERSION | | | | | | | | | | | | | |
| <table border="1"> <tr> <td>0 PLC</td> <td>± -</td> </tr> <tr> <td>1 PLC</td> <td>± -</td> </tr> <tr> <td>2 PLC</td> <td>± 0.25</td> </tr> <tr> <td>3 PLC</td> <td>± -</td> </tr> <tr> <td>4 PLC</td> <td>± -</td> </tr> <tr> <td>ANGLES</td> <td>± -</td> </tr> </table> | | 0 PLC | ± - | 1 PLC | ± - | 2 PLC | ± 0.25 | 3 PLC | ± - | 4 PLC | ± - | ANGLES | ± - | PRODUCT SPEC 108-60034 | SIZE A2 | CAGE CODE 00779 |
| 0 PLC | ± - | | | | | | | | | | | | | | | |
| 1 PLC | ± - | | | | | | | | | | | | | | | |
| 2 PLC | ± 0.25 | | | | | | | | | | | | | | | |
| 3 PLC | ± - | | | | | | | | | | | | | | | |
| 4 PLC | ± - | | | | | | | | | | | | | | | |
| ANGLES | ± - | | | | | | | | | | | | | | | |
| MATERIAL ⚠ | FINISH ⚠ | APPLICATION SPEC - | DRAWING NO C=292303 | RESTRICTED TO - | | | | | | | | | | | | |
| | | WEIGHT - | SCALE 5:1 | SHEET 4 of 5 | | | | | | | | | | | | |
| | | CUSTOMER DRAWING | REV G | | | | | | | | | | | | | |

| REVISIONS | | | | | |
|-----------|-----|-------------|------|-----|------|
| P | LTR | DESCRIPTION | DATE | DWN | APVD |
| - | | SEE SHEET 1 | - | - | - |



- ① MATERIAL:
SHELL: STAINLESS STEEL & CONTACTS- COPPER ALLOY.
HOUSING: UL 94V-0 RATED, THERMOPLASTIC, COLOR SEE TABLE.
- ② PLATING:
CONTACTS: 0.076μm MINIMUM GOLD OVER 0.76μm MINIMUM PALLADIUM-NICKEL ON MATING AREA.
3.8μm MINIMUM MATTE TIN ON SOLDER TAILS.
BOTH OVER 1.27μm MINIMUM NICKEL.
CONTACT ALTERNATE PLATING: 0.76μm MIN GOLD ON MATING AREA, 3.80μm MIN MATTE TIN ON SOLDER TAILS, BOTH OVER 1.27μm MIN NICKEL.
SHELL: MINIMUM BRIGHT TIN OVER MIN NICKEL.
- ③ DATUM AND BASIC DIMENSIONS ESTABLISHED BY CUSTOMER.
- ④ RECOMMENDED PC BOARD THICKNESS OF 1.57 mm.



OBSOLETE

| | | | |
|----|-----------------------------|---------------|-------------|
| OB | YES | BLACK | 2-292303-1 |
| | HIGH TEMPERATURE COMPATIBLE | HOUSING COLOR | PART NUMBER |

| | | | | |
|--|--|------------------------|---|-----------------|
| THIS DRAWING IS A CONTROLLED DOCUMENT. | | DWN J.JIANG 19FEB04 | TE Connectivity Ltd. | |
| | | CHK S.YAO 19FEB04 | | |
| DIMENSIONS: mm | | APVD T.SASAKI 19FEB04 | NAME | |
| TOLERANCES UNLESS OTHERWISE SPECIFIED: 0 PLC ± - 1 PLC ± - 2 PLC ± 0.25 3 PLC ± - 4 PLC ± - ANGLES ± - | | PRODUCT SPEC 108-60034 | RECEPTACLE ASSEMBLY RIGHT ANGLE, 4 POSITION, T/H & SMT USB, LEAD FREE VERSION | |
| MATERIAL | | APPLICATION SPEC - | SIZE A2 | CAGE CODE 00779 |
| FINISH | | WEIGHT - | DRAWING NO C=292303 | RESTRICTED TO - |
| CUSTOMER DRAWING | | | SCALE 5:1 | SHEET 5 of 5 |