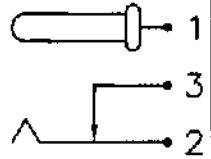
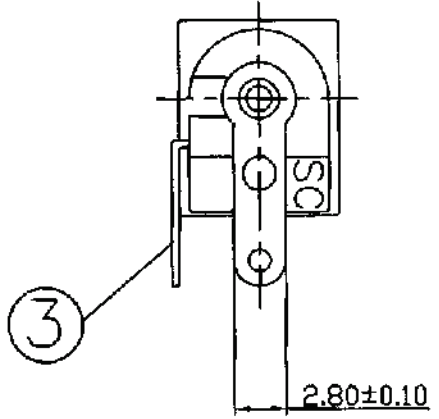
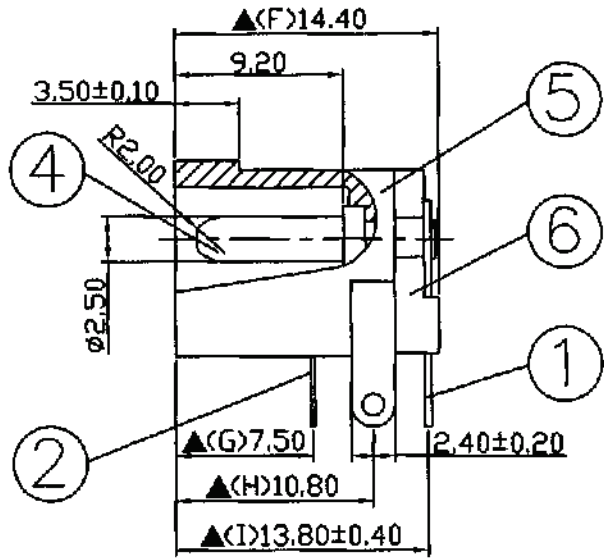
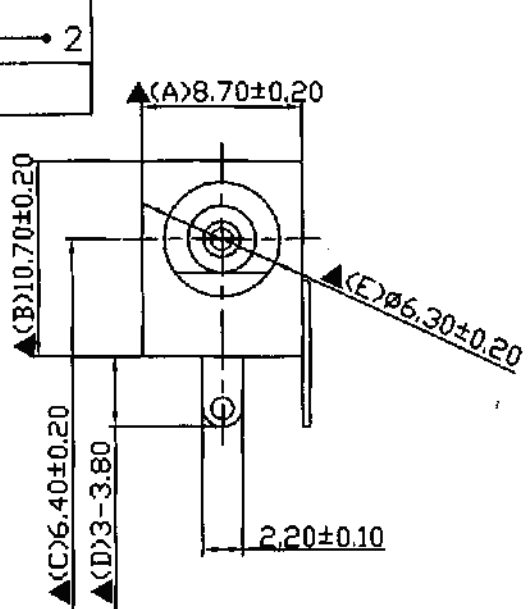
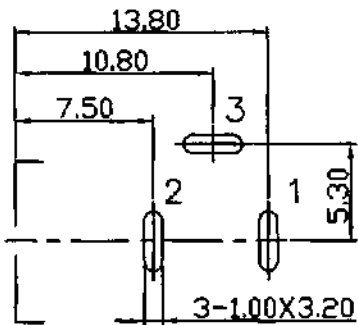


SCHEMATIC	
	MODEL NO C

Date	Rev.	Description



6.	Cover	PBT+30% Fibre Glass	1	Black Color
5.	Housing	PBT+30% Fibre Glass	1	Black Color
4.	Pin(2.5ø)	Copper	1	Nickel Plated
3.	Break Terminal	0.4T Brass	1	Silver Plated
2.	Sleeve Spring	0.2T Phosphor Bronze	1	Silver Plated
1.	Pin Terminal	0.4T Brass	1	Silver Plated
NO.	Description	Material	Q'TY	Finish



Pin Hole Layout  
(Jack Bottom View)

**SPECIFICATIONS:**  
Contact Resistance : 30mΩ max  
Insulation Resistance : 100MΩ min. at DC 500V  
Dielectric Withstand Voltage : AC 500V for one minute  
Remark: ▲: The Most Important Dimension

DCC. NO.  
A4 DRAWING NO.

MATERIAL		<b>GOLDSUN ELECTRONICS CO., LTD.</b>	
DRAWN: Kiki Chen		JAMECO NO. <b>101187</b>	GOLDSUN NO. SCD438DCS011B00G
VERIFY PEOPLE: Ada Zheng , Ivy Lan		Description 2.5MM PC MOUNT	
UNIT: mm	SCALE:	SHEET 1 OF 1	Rev. 1
		CAS No:	ERN No: