

Single Port RJ45 Connector
with LEDs and Integrated Magnetics
for 10/100Base-TX PoE application



中山市汉仁电子有限公司
Hanrun Electronics Company Limited

Part Number:

HY931147AE

Electrical Specification @25° C

RoHS Compliant (Pb Free)

Operating Temperature Range: -40°C ~ +85°C

Isolation: 1500Vrms 1 minute (P2+P5 to J2+J3)

OCL: 350uH Minimum @100KHz 100mV with 8mADC

Insertion Loss: -1.0dB Maximum @1MHz ~ 100MHz

Return Loss: -18dB Minimum @1MHz ~ 30MHz

-16dB Minimum @30MHz ~ 40MHz

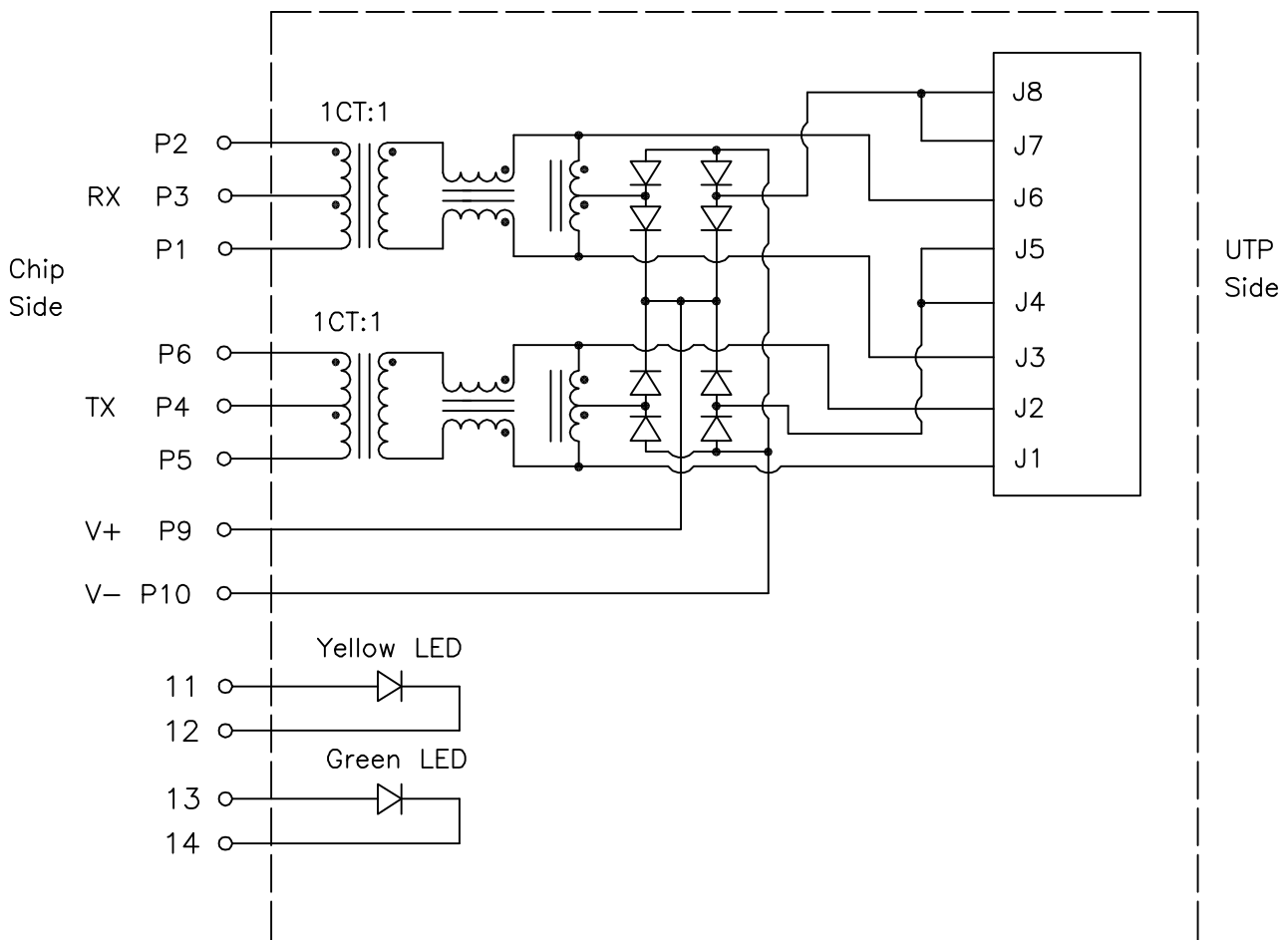
-14dB Minimum @50MHz ~ 60MHz

-12dB Minimum @60MHz ~ 80MHz

Common Mode Rejection: -35dB Minimum @1MHz ~ 100MHz

Crosstalk: -35dB Minimum @1MHz ~ 100MHz

Schematics



Part No.: HY931147AE	Unless otherwise specified, Tolerance:	Rev: A	DRWN:	Date:
Dimensions in mm	.xx ±0.25	Page 1/2	APPD:	Date:

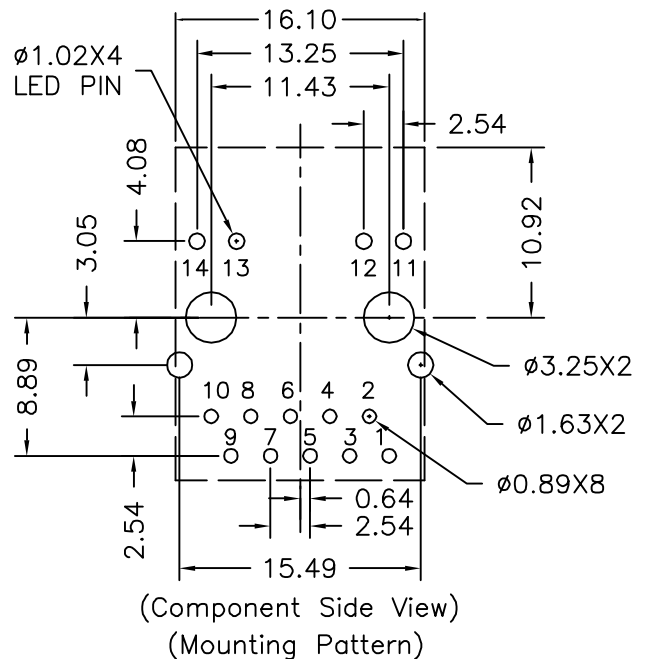
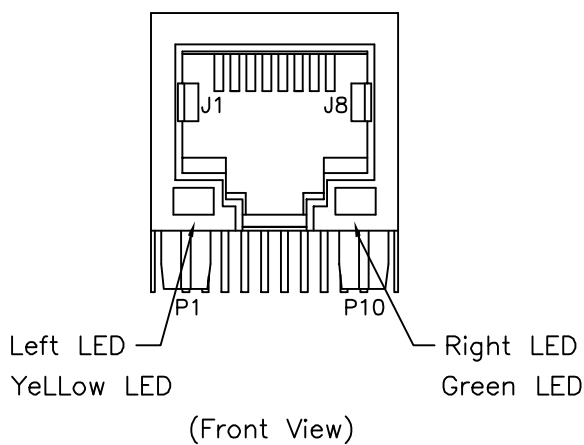
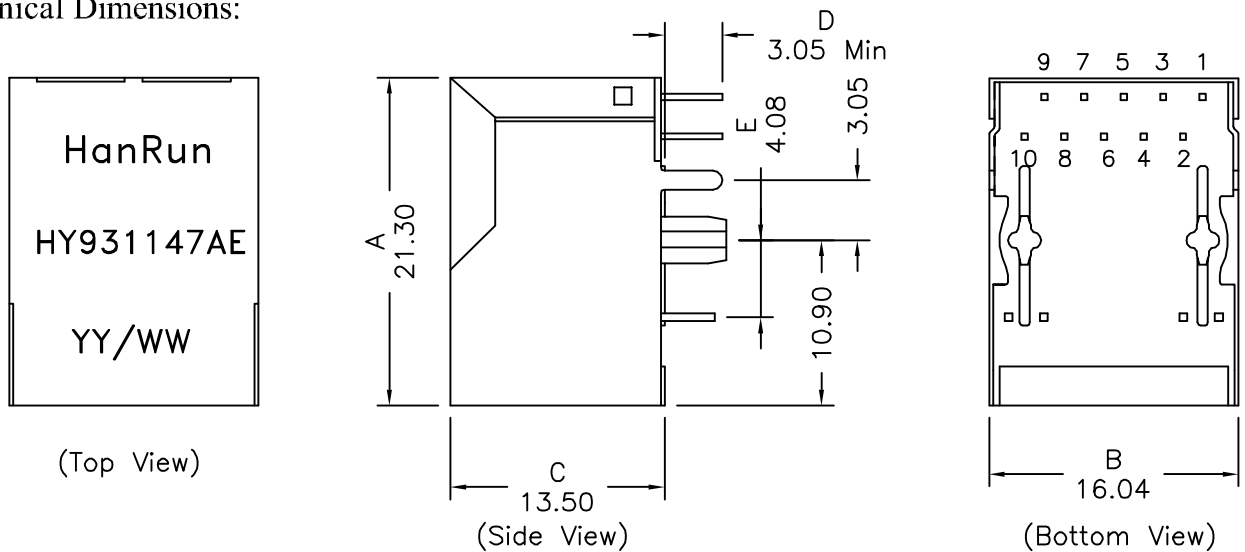
Single Port RJ45 Connector
with Magnetics Module and LED

Part Number

HY931147AE (Shield Type: A)

- RoHS Compliant (Pb Free)
- Designed for Network Interface Card Application
- Meets or Exceeds IEEE802.3 standards including 350uH Min OCL with 8mADC
- High performance for EMI suppression, Crosstalk, Return Loss and Consistent Electrical
- Minimum 1500Vrms isolation per IEEE802.3 requirement
- Minimize PCB space and Simplify PCB Layout
- Less magnetic components to place on PCB, Higher reliability and yields

Mechanical Dimensions:



Standard LED	Wavelength	Forward V (Min/Max)	Forward A	Type
Green	568nm	1.8V/2.8V	20mA	squareness
Yellow	585nm	1.8V/2.8V	20mA	squareness

Part No.: HY931147AE	Unless otherwise specified, Tolerance: .xx ± 0.25	Rev: A	DRWN:	Date:
Dimensions in mm		Page 2/2	APPD:	Date: