

Integrated Device Technology, Inc.

FAST CMOS OCTAL BUFFER/LINE DRIVER

IDT54/74FCT240/A/C
IDT54/74FCT241/A/C
IDT54/74FCT244/A/C
IDT54/74FCT540/A/C
IDT54/74FCT541/A/C

FEATURES:

- IDT54/74FCT240/241/244/540/541 equivalent to FAST™ speed and drive
- **IDT54/74FCT240A/241A/244A/540A/541A 25% faster than FAST**
- **IDT54/74FCT240C/241C/244C/540C/541C up to 55% faster than FAST**
- IOL = 64mA (commercial) and 48mA (military)
- CMOS power levels (1mW typ. static)
- Product available in Radiation Tolerant and Radiation Enhanced versions
- Military product compliant to MIL-STD-883, Class B
- Meets or exceeds JEDEC Standard 18 specifications

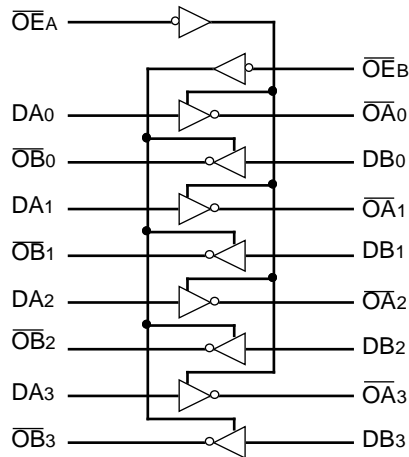
DESCRIPTION:

The IDT octal buffer/line drivers are built using an advanced dual metal CMOS technology. The IDT54/74FCT240/A/C, IDT54/74FCT241/A/C and IDT54/74FCT244/A/C are designed to be employed as memory and address drivers, clock drivers and bus-oriented transmitter/receivers which provide improved board density.

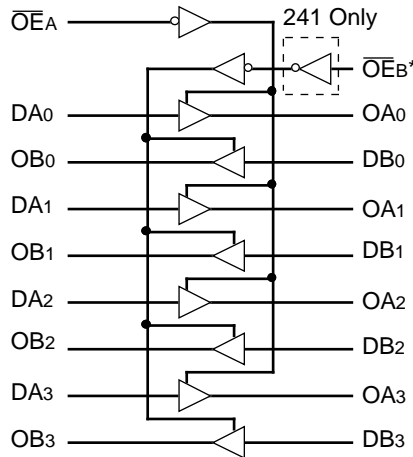
The IDT54/74FCT540/A/C and IDT54/74FCT541/A/C are similar in function to the IDT54/74FCT240/A/C and IDT54/74FCT244/A/C, respectively, except that the inputs and outputs are on opposite sides of the package. This pinout arrangement makes these devices especially useful as output ports for microprocessors and as backplane drivers, allowing ease of layout and greater board density.

FUNCTIONAL BLOCK DIAGRAMS

2529 cnv* 01-03

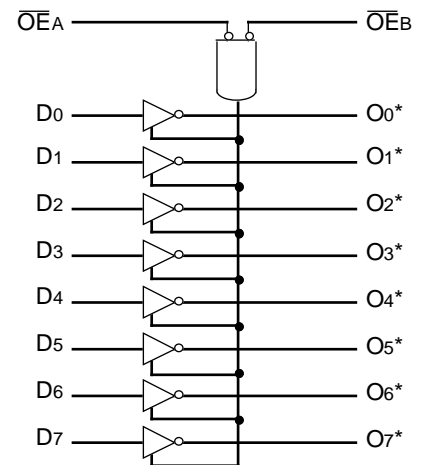


IDT54/74FCT240



IDT54/74FCT241/244

*OEB for 241, OEB for 244



IDT54/74FCT540/541

*Logic diagram shown for 'FCT540. 'FCT541 is the non-inverting option.

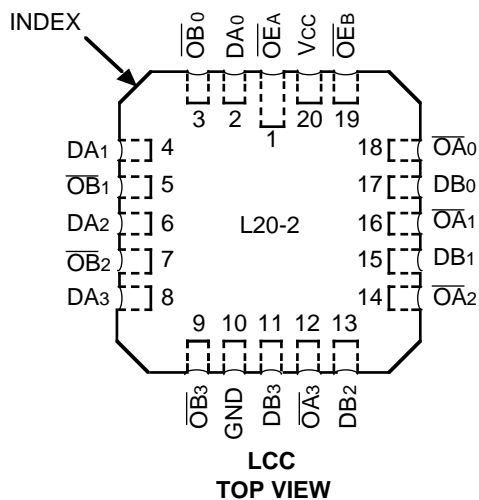
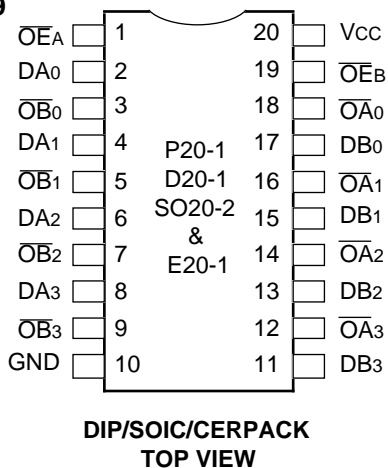
2606 dwg 01-03

The IDT logo is a registered trademark of Integrated Device Technology, Inc. FAST is a trademark of National Semiconductor Co.

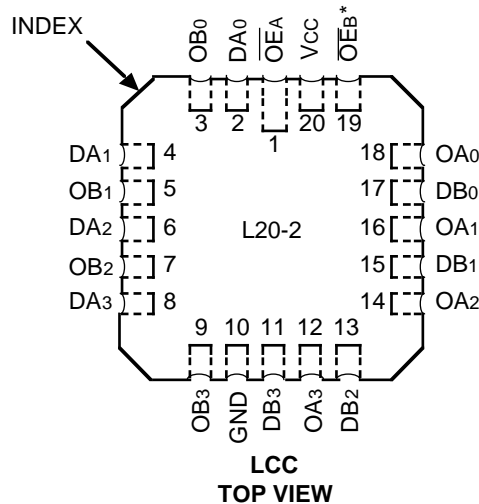
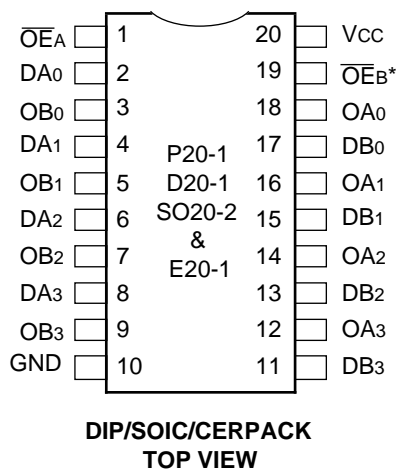
PIN CONFIGURATIONS

IDT54/74FCT240

2529 cnv* 04-09

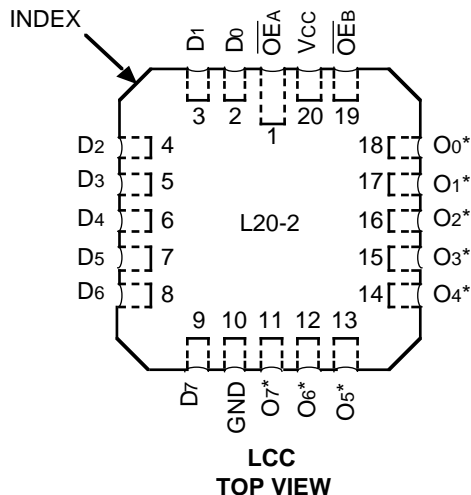
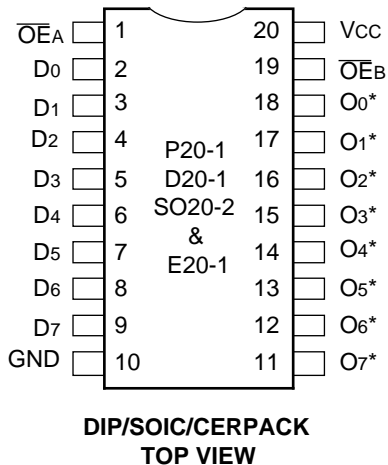


IDT54/74FCT241/244



* \overline{OE}_B for 241, \overline{OE}_B for 244

IDT54/74FCT540/541



* \overline{O}_x for 540, O_x for 541

2606 cnv* 04-09

PIN DESCRIPTION

| Pin Names | Description |
|------------------------------------|---|
| $\overline{OE}_A, \overline{OE}_B$ | 3-State Output Enable Inputs (Active LOW) |
| $OE_B^{(1)}$ | 3-State Output Enable Input (Active HIGH) |
| Dxx | Inputs |
| Oxx | Outputs |

NOTE:

1. OE_B for 241 only.

2606 tbl 04

FUNCTION TABLE

| Inputs ⁽¹⁾ | | | | Outputs ⁽¹⁾ | | | | |
|-----------------------|-------------------|--------------|---|------------------------|-----|-----|-----|-----|
| \overline{OE}_A | \overline{OE}_B | $OE_B^{(2)}$ | D | 240 | 241 | 244 | 540 | 541 |
| L | L | H | L | H | L | L | H | L |
| L | L | H | H | L | H | H | L | H |
| H | H | L | X | Z | Z | Z | Z | Z |

NOTES:

- H = High Voltage Level
X = Don't Care
L = Low Voltage Level
Z = High Impedance
- OE_B for 241 only.

2606 tbl 05

ABSOLUTE MAXIMUM RATINGS⁽¹⁾

| Symbol | Rating | Commercial | Military | Unit |
|------------------|--------------------------------------|------------------|------------------|------|
| $V_{TERM}^{(2)}$ | Terminal Voltage with Respect to GND | -0.5 to +7.0 | -0.5 to +7.0 | V |
| $V_{TERM}^{(3)}$ | Terminal Voltage with Respect to GND | -0.5 to V_{CC} | -0.5 to V_{CC} | V |
| T_A | Operating Temperature | 0 to +70 | -55 to +125 | °C |
| T_{BIAS} | Temperature Under Bias | -55 to +125 | -65 to +135 | °C |
| T_{STG} | Storage Temperature | -55 to +125 | -65 to +150 | °C |
| PT | Power Dissipation | 0.5 | 0.5 | W |
| I_{OUT} | DC Output Current | 120 | 120 | mA |

NOTES:

- Stresses greater than those listed under ABSOLUTE MAXIMUM RATINGS may cause permanent damage to the device. This is a stress rating only and functional operation of the device at these or any other conditions above those indicated in the operational sections of this specification is not implied. Exposure to absolute maximum rating conditions for extended periods may affect reliability. No terminal voltage may exceed V_{CC} by +0.5V unless otherwise noted.
- Input and V_{CC} terminals only.
- Outputs and I/O terminals only.

2606 tbl 01

CAPACITANCE ($T_A = +25^\circ\text{C}$, $f = 1.0\text{MHz}$)

| Symbol | Parameter ⁽¹⁾ | Conditions | Typ. | Max. | Unit |
|-----------|--------------------------|----------------|------|------|------|
| C_{IN} | Input Capacitance | $V_{IN} = 0V$ | 6 | 10 | pF |
| C_{OUT} | Output Capacitance | $V_{OUT} = 0V$ | 8 | 12 | pF |

NOTE:

- This parameter is measured at characterization but not tested.

2606 tbl 02

DC ELECTRICAL CHARACTERISTICS OVER OPERATING RANGE

Following Conditions Apply Unless Otherwise Specified: $V_{LC} = 0.2V$; $V_{HC} = V_{CC} - 0.2V$

Commercial: $T_A = 0^\circ C$ to $+70^\circ C$, $V_{CC} = 5.0V \pm 5\%$; Military: $T_A = -55^\circ C$ to $+125^\circ C$, $V_{CC} = 5.0V \pm 10\%$

| Symbol | Parameter | Test Conditions ⁽¹⁾ | Min. | Typ. ⁽²⁾ | Max. | Unit | |
|-----------|--|--|---------------------------------|---------------------|--------------------|---------|----------------|
| V_{IH} | Input HIGH Level | Guaranteed Logic HIGH Level | 2.0 | — | — | V | |
| V_{IL} | Input LOW Level | Guaranteed Logic LOW Level | — | — | 0.8 | V | |
| I_{IH} | Input HIGH Current | $V_{CC} = \text{Max.}$ $V_I = V_{CC}$ $V_I = 2.7V$ $V_I = 0.5V$ $V_I = \text{GND}$ | — | — | 5 | μA | |
| I_{IL} | Input LOW Current | | — | — | 5 ⁽⁴⁾ | | |
| | | | — | — | -5 ⁽⁴⁾ | | |
| | | | — | — | -5 | | |
| I_{OZH} | Off State (High Impedance) Output Current | $V_{CC} = \text{Max.}$ $V_O = V_{CC}$ $V_O = 2.7V$ $V_O = 0.5V$ $V_O = \text{GND}$ | — | — | 10 | μA | |
| I_{OZL} | | | — | — | 10 ⁽⁴⁾ | | |
| | | | — | — | -10 ⁽⁴⁾ | | |
| | | | — | — | -10 | | |
| V_{IK} | Clamp Diode Voltage | $V_{CC} = \text{Min.}, I_N = -18mA$ | — | -0.7 | -1.2 | V | |
| I_{OS} | Short Circuit Current | $V_{CC} = \text{Max.}^{(3)}, V_O = \text{GND}$ | -60 | -120 | — | mA | |
| V_{OH} | Output HIGH Voltage | $V_{CC} = 3V, V_{IN} = V_{LC} \text{ or } V_{HC}, I_{OH} = -32\mu A$ | V_{HC} | V_{CC} | — | V | |
| | | $V_{CC} = \text{Min.}$ $V_{IN} = V_{IH} \text{ or } V_{IL}$ | $I_{OH} = -300\mu A$ | V_{HC} | V_{CC} | | — |
| | | | $I_{OH} = -12mA \text{ MIL.}$ | 2.4 | 4.3 | | — |
| | | | $I_{OH} = -15mA \text{ COM'L.}$ | 2.4 | 4.3 | | — |
| V_{OL} | Output LOW Voltage | $V_{CC} = 3V, V_{IN} = V_{LC} \text{ or } V_{HC}, I_{OL} = 300\mu A$ | — | GND | V_{LC} | V | |
| | | $V_{CC} = \text{Min.}$ $V_{IN} = V_{IH} \text{ or } V_{IL}$ | $I_{OL} = 300\mu A$ | — | GND | | $V_{LC}^{(4)}$ |
| | | | $I_{OL} = 48mA \text{ MIL.}$ | — | 0.3 | | 0.55 |
| | | | $I_{OL} = 64mA \text{ COM'L.}$ | — | 0.3 | | 0.55 |

NOTES:

- For conditions shown as Max. or Min., use appropriate value specified under Electrical Characteristics for the applicable device type.
- Typical values are at $V_{CC} = 5.0V$, $+25^\circ C$ ambient and maximum loading.
- Not more than one output should be shorted at one time. Duration of the short circuit test should not exceed one second.
- This parameter is guaranteed but not tested.

2606 tbl 03

POWER SUPPLY CHARACTERISTICS

$V_{LC} = 0.2V$; $V_{HC} = V_{CC} - 0.2V$

| Symbol | Parameter | Test Conditions ⁽¹⁾ | | Min. | Typ. ⁽²⁾ | Max. | Unit |
|------------------|---|---|---|------|---------------------|---------------------|------------|
| I _{CC} | Quiescent Power Supply Current | V _{CC} = Max. V _{IN} ≥ V _{HC} ; V _{IN} ≤ V _{LC} | | — | 0.2 | 1.5 | mA |
| ΔI _{CC} | Quiescent Power Supply Current TTL Inputs HIGH | V _{CC} = Max. V _{IN} = 3.4V ⁽³⁾ | | — | 0.5 | 2.0 | mA |
| I _{CCD} | Dynamic Power Supply Current ⁽⁴⁾ | V _{CC} = Max. Outputs Open $\overline{OE}A = \overline{OE}B = GND$ or $\overline{OE}A = GND$, OE _B = V _{CC} One Input Toggling 50% Duty Cycle | V _{IN} ≥ V _{HC} V _{IN} ≤ V _{LC} | — | 0.15 | 0.25 | mA/ MHz |
| I _C | Total Power Supply Current ⁽⁶⁾ | V _{CC} = Max. Outputs Open f _i = 10MHz 50% Duty Cycle $\overline{OE}A = \overline{OE}B = GND$ or $\overline{OE}A = GND$, OE _B = V _{CC} One Bit Toggling | V _{IN} ≥ V _{HC} V _{IN} ≤ V _{LC} (FCT) | — | 1.7 | 4.0 | mA |
| | | | V _{IN} = 3.4V V _{IN} = GND | — | 2.0 | 5.0 | |
| | | V _{CC} = Max. Outputs Open f _i = 5MHz 50% Duty Cycle $\overline{OE}A = \overline{OE}B = GND$ or $\overline{OE}A = GND$, OE _B = V _{CC} Eight Bits Toggling | V _{IN} ≥ V _{HC} V _{IN} ≤ V _{LC} (FCT) | — | 3.2 | 6.5 ⁽⁵⁾ | |
| | | | V _{IN} = 3.4V V _{IN} = GND | — | 5.2 | 14.5 ⁽⁵⁾ | |

NOTES:

2606 tbl 06

- For conditions shown as Max. or Min., use appropriate value specified under Electrical Characteristics for the applicable device type.
- Typical values are at V_{CC} = 5.0V, +25°C ambient.
- Per TTL driven input (V_{IN} = 3.4V); all other inputs at V_{CC} or GND.
- This parameter is not directly testable, but is derived for use in Total Power Supply Calculations.
- Values for these conditions are examples of the I_{CC} formula. These limits are guaranteed but not tested.
- I_C = I_{QUIESCENT} + I_{INPUTS} + I_{DYNAMIC}
 $I_C = I_{CC} + \Delta I_{CC} \cdot D_{HT} + I_{CCD} (f_{CP}/2 + f_i N_i)$
 I_{CC} = Quiescent Current
 ΔI_{CC} = Power Supply Current for a TTL High Input (V_{IN} = 3.4V)
 D_H = Duty Cycle for TTL Inputs High
 N_T = Number of TTL Inputs at D_H
 I_{CCD} = Dynamic Current Caused by an Input Transition Pair (HLH or LHL)
 f_{CP} = Clock Frequency for Register Devices (Zero for Non-Register Devices)
 f_i = Input Frequency
 N_i = Number of Inputs at f_i
 All currents are in milliamps and all frequencies are in megahertz.

SWITCHING CHARACTERISTICS OVER OPERATING RANGE FOR FCT240^(1,2)

| Symbol | Parameter | Condition | 54/74FCT240 | | | | 54/74FCT240A | | | | 54/74FCT240C | | | | Unit |
|--------------|---------------------------------------|------------------------|-------------|------|------|------|--------------|------|------|------|--------------|------|------|------|------|
| | | | Com'l. | | Mil. | | Com'l. | | Mil. | | Com'l. | | Mil. | | |
| | | | Min. | Max. | Min. | Max. | Min. | Max. | Min. | Max. | Min. | Max. | Min. | Max. | |
| tPLH tPHL | Propagation Delay DN to $\bar{O}N$ | CL = 50pF RL = 500Ω | 1.5 | 8.0 | 1.5 | 9.0 | 1.5 | 4.8 | 1.5 | 5.1 | 1.5 | 4.3 | 1.5 | 4.7 | ns |
| tPZH tPZL | Output Enable Time | | 1.5 | 10.0 | 1.5 | 10.5 | 1.5 | 6.2 | 1.5 | 6.5 | 1.5 | 5.8 | 1.5 | 6.5 | ns |
| tPHZ tPLZ | Output Disable Time | | 1.5 | 9.5 | 1.5 | 10.0 | 1.5 | 5.6 | 1.5 | 5.9 | 1.5 | 5.2 | 1.5 | 5.7 | ns |

2606 tbl 07

SWITCHING CHARACTERISTICS OVER OPERATING RANGE FOR FCT241 AND FCT244^(1,2)

SWITCHING CHARACTERISTICS OVER OPERATING RANGE FOR FCT241 AND FCT244^(1,2)

| Symbol | Parameter | Condition | 54/74FCT241/244 | | | | 54/74FCT241A/244A | | | | 54/74FCT241C/244C | | | | Unit |
|--------------|-------------------------------|------------------------|-----------------|------|------|------|-------------------|------|------|------|-------------------|------|------|------|------|
| | | | Com'l. | | Mil. | | Com'l. | | Mil. | | Com'l. | | Mil. | | |
| | | | Min. | Max. | Min. | Max. | Min. | Max. | Min. | Max. | Min. | Max. | Min. | Max. | |
| tPLH tPHL | Propagation Delay DN to ON | CL = 50pF RL = 500Ω | 1.5 | 6.5 | 1.5 | 7.0 | 1.5 | 4.8 | 1.5 | 5.1 | 1.5 | 4.1 | 1.5 | 4.6 | ns |
| tPZH tPZL | Output Enable Time | | 1.5 | 8.0 | 1.5 | 8.5 | 1.5 | 6.2 | 1.5 | 6.5 | 1.5 | 5.8 | 1.5 | 6.5 | ns |
| tPHZ tPLZ | Output Disable Time | | 1.5 | 7.0 | 1.5 | 7.5 | 1.5 | 5.6 | 1.5 | 5.9 | 1.5 | 5.2 | 1.5 | 5.7 | ns |

2606 tbl 08

SWITCHING CHARACTERISTICS OVER OPERATING RANGE FOR FCT540 AND FCT541^(1,2)

| Symbol | Parameter | Condition | 54/74FCT540/541 | | | | 54/74FCT540A/541A | | | | 54/74FCT540C/541C | | | | Unit |
|--------------|---|------------------------|-----------------|------|------|------|-------------------|------|------|------|-------------------|------|------|------|------|
| | | | Com'l. | | Mil. | | Com'l. | | Mil. | | Com'l. | | Mil. | | |
| | | | Min. | Max. | Min. | Max. | Min. | Max. | Min. | Max. | Min. | Max. | Min. | Max. | |
| tPLH tPHL | Propagation Delay DN to $\bar{O}N$ IDT54/74FCT540 | CL = 50pF RL = 500Ω | 1.5 | 8.5 | 1.5 | 9.5 | 1.5 | 4.8 | 1.5 | 5.1 | 1.5 | 4.3 | 1.5 | 4.7 | ns |
| tPLH tPHL | Propagation Delay DN to ON IDT54/74FCT541 | | 1.5 | 8.0 | 1.5 | 9.0 | 1.5 | 4.8 | 1.5 | 5.1 | 1.5 | 4.1 | 1.5 | 4.6 | ns |
| tPZH tPZL | Output Enable Time | | 1.5 | 10.0 | 1.5 | 10.5 | 1.5 | 6.2 | 1.5 | 6.5 | 1.5 | 5.8 | 1.5 | 6.5 | ns |
| tPHZ tPLZ | Output Disable Time | | 1.5 | 9.5 | 1.5 | 10.0 | 1.5 | 5.6 | 1.5 | 5.9 | 1.5 | 5.2 | 1.5 | 5.7 | ns |

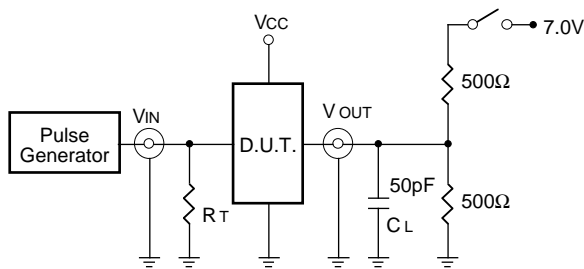
NOTES:

1. See test circuit and waveforms.
2. Minimum limits are guaranteed but not tested on Propagation Delays.

2606 tbl 09

TEST CIRCUITS AND WAVEFORMS

TEST CIRCUITS FOR ALL OUTPUTS



SWITCH POSITION

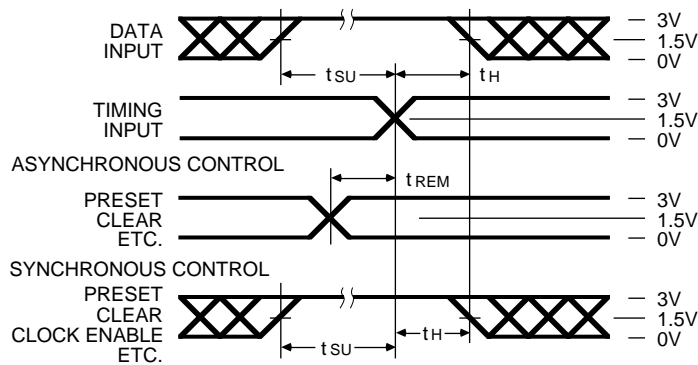
| Test | Switch |
|---|--------|
| Open Drain Disable Low Enable Low | Closed |
| All Other Tests | Open |

DEFINITIONS:

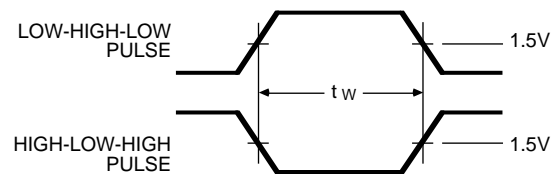
CL = Load capacitance: includes jig and probe capacitance.
RT = Termination resistance: should be equal to ZOUT of the Pulse Generator.

2606 tbl 10

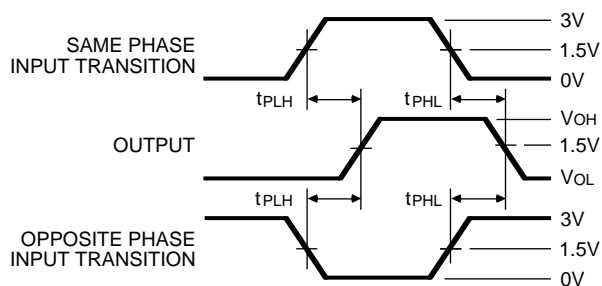
SET-UP, HOLD AND RELEASE TIMES



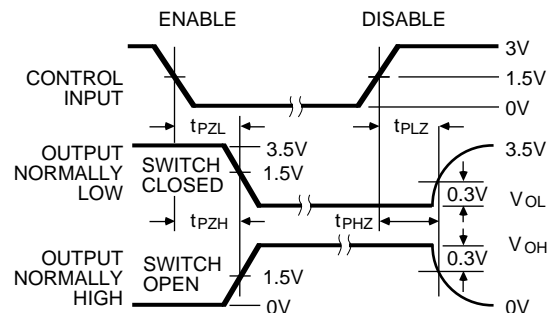
PULSE WIDTH



PROPAGATION DELAY



ENABLE AND DISABLE TIMES



NOTES

- Diagram shown for input Control Enable-LOW and input Control Disable-HIGH.
- Pulse Generator for All Pulses: Rate ≤ 1.0 MHz; Zo $\leq 50\Omega$; tr ≤ 2.5 ns; $t_r \leq 2.5$ ns.

2606 drw 10

ORDERING INFORMATION

| IDT | XX | FCT | XXXX | X | X | |
|-------------|----|-------------|------|---------|---------|---|
| Temp. Range | | Device Type | | Package | Process | |
| | | | | | Blank | Commercial |
| | | | | | B | MIL-STD-883, Class B |
| | | | | | P | Plastic DIP |
| | | | | | D | CERDIP |
| | | | | | SO | Small Outline IC |
| | | | | | L | Leadless Chip Carrier |
| | | | | | E | CERPACK |
| | | | | | 240 | Inverting Octal Buffer/Line Driver |
| | | | | | 241 | Non-Inverting Octal Buffer/Line Driver |
| | | | | | 244 | Non-Inverting Octal Buffer/Line Driver |
| | | | | | 540 | Inverting Octal Buffer/Line Driver |
| | | | | | 541 | Non-Inverting Octal Buffer/Line Driver |
| | | | | | 240A | Fast Inverting Octal Buffer/Line Driver |
| | | | | | 241A | Fast Non-Inverting Octal Buffer/Line Driver |
| | | | | | 244A | Fast Non-Inverting Octal Buffer/Line Driver |
| | | | | | 540A | Fast Inverting Octal Buffer/Line Driver |
| | | | | | 541A | Fast Non-Inverting Octal Buffer/Line Driver |
| | | | | | 240C | Super Fast Inverting Octal Buffer/Line Driver |
| | | | | | 241C | Super Fast Non-Inverting Octal Buffer/Line Driver |
| | | | | | 244C | Super Fast Non-Inverting Octal Buffer/Line Driver |
| | | | | | 540C | Super Fast Inverting Octal Buffer/Line Driver |
| | | | | | 541C | Super Fast Non-Inverting Octal Buffer/Line Driver |
| | | | | | 54 | -55°C to +125°C |
| | | | | | 74 | 0°C to +70°C |

2606 cnv* 15