

# 18Mb QDRII SRAM Specification

**165FBGA with Pb & Pb-Free**  
**(RoHS compliant)**

**INFORMATION IN THIS DOCUMENT IS PROVIDED IN RELATION TO SAMSUNG PRODUCTS, AND IS SUBJECT TO CHANGE WITHOUT NOTICE.**

**NOTHING IN THIS DOCUMENT SHALL BE CONSTRUED AS GRANTING ANY LICENSE, EXPRESS OR IMPLIED, BY ESTOPPEL OR OTHERWISE,**

**TO ANY INTELLECTUAL PROPERTY RIGHTS IN SAMSUNG PRODUCTS OR TECHNOLOGY. ALL INFORMATION IN THIS DOCUMENT IS PROVIDED**

**ON AS "AS IS" BASIS WITHOUT GUARANTEE OR WARRANTY OF ANY KIND.**

1. For updates or additional information about Samsung products, contact your nearest Samsung office.
2. Samsung products are not intended for use in life support, critical care, medical, safety equipment, or similar applications where Product failure could result in loss of life or personal or physical harm, or any military or defense application, or any governmental procurement to which special terms or provisions may apply.

\* Samsung Electronics reserves the right to change products or specification without notice.

**Document Title**

512Kx36-bit, 1Mx18-bit, 2Mx9-bit QDR™ II b2 SRAM

**Revision History**

<u>Rev. No.</u>	<u>History</u>	<u>Draft Date</u>	<u>Remark</u>												
0.0	1. Initial document.	Oct. 17, 2002	Advance												
0.1	1. Change the Boundary scan exit order. 2. Correct the Overshoot and Undershoot timing diagram.	Dec. 16, 2002	Preliminary												
0.2	1. Change the JTAG Block diagram	Dec. 26, 2002	Preliminary												
0.3	1. Change the DC characteristics table.	Jan. 27, 2003	Preliminary												
0.4	1. Correct the JTAG ID register definition 2. Correct the AC timing parameter (delete the tKH $\bar{K}$ H Max value)	Mar. 20, 2003	Preliminary												
0.5	1. Change the Maximum Clock cycle time. 2. Correct the 165FBGA package ball size.	April. 4, 2003	Preliminary												
0.6	1. Add the power up/down sequencing comment. 2. Update the DC current parameter (Icc and Isb).	June. 20, 2003	Preliminary												
0.7	1. Update the Stand-by current(Isb)	June. 23, 2003	Preliminary												
0.8	1. Change the ISB1.	Oct. 20. 2003	Preliminary												
	<table border="1"> <thead> <tr> <th>Speed Bin</th> <th>From</th> <th>To</th> </tr> </thead> <tbody> <tr> <td>-25</td> <td>250</td> <td>280</td> </tr> <tr> <td>-20</td> <td>230</td> <td>260</td> </tr> <tr> <td>-16</td> <td>210</td> <td>240</td> </tr> </tbody> </table>	Speed Bin	From	To	-25	250	280	-20	230	260	-16	210	240		
Speed Bin	From	To													
-25	250	280													
-20	230	260													
-16	210	240													
1.0	1. Final spec release	Oct. 31, 2003	Final												
2.0	1. Delete the x8 Org. 2. Delete the 250MHz speed bin	Nov. 28, 2003	Final												
3.0	1. Add the Industrial temp. & Lead Free Package	Nov. 10. 2004	Final												
4.0	1. Add the 250MHz speed bin	Mar. 29. 2006	Final												
5.0	1. Change Vss/SA to NC/SA in Pin Configuration	Jul. 26 2006	Final												

The attached data sheets are prepared and approved by SAMSUNG Electronics. SAMSUNG Electronics CO., LTD. reserve the right to change the specifications. SAMSUNG Electronics will evaluate and reply to your requests and questions on the parameters of this device. If you have any questions, please contact the SAMSUNG branch office near your office, call or contact Headquarters.

512Kx36-bit, 1Mx18-bit, 2Mx9-bit QDR™ II b2 SRAM

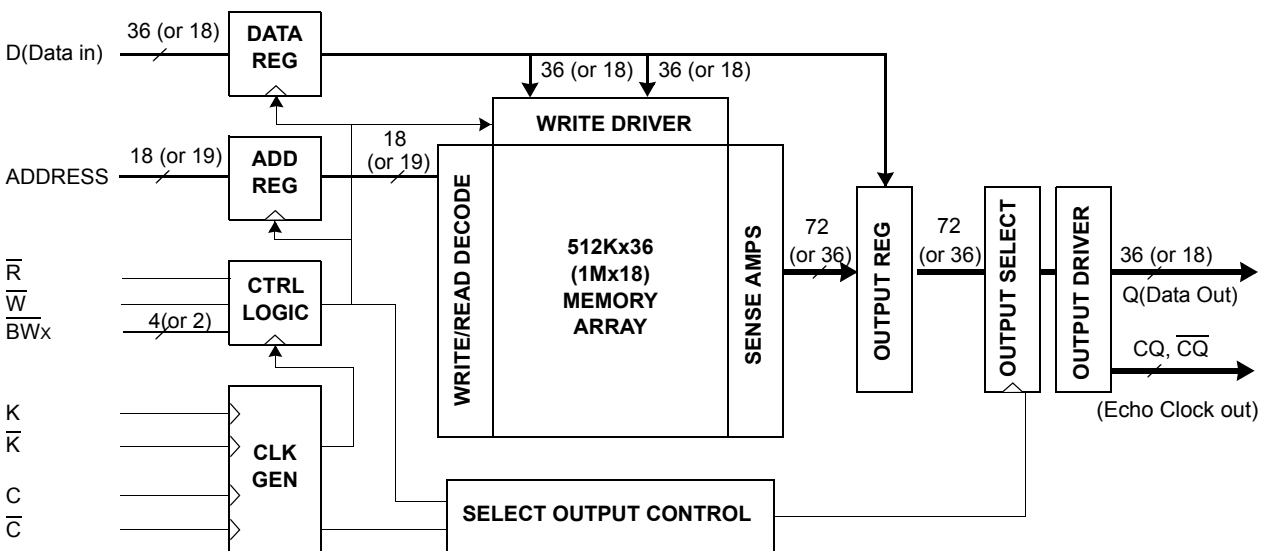
FEATURES

- 1.8V+0.1V/-0.1V Power Supply.
- DLL circuitry for wide output data valid window and future frequency scaling.
- I/O Supply Voltage 1.5V+0.1V/-0.1V for 1.5V I/O, 1.8V+0.1V/-0.1V for 1.8V I/O.
- Separate independent read and write data ports with concurrent read and write operation
- HSTL I/O
- Full data coherency, providing most current data.
- Synchronous pipeline read with self timed early write.
- Registered address, control and data input/output.
- DDR (Double Data Rate) Interface on read and write ports.
- Fixed 2-bit burst for both read and write operation.
- Clock-stop supports to reduce current.
- Two input clocks (K and  $\bar{K}$ ) for accurate DDR timing at clock rising edges only.
- Two input clocks for output data (C and  $\bar{C}$ ) to minimize clock-skew and flight-time mismatches.
- Two echo clocks (CQ and  $\bar{CQ}$ ) to enhance output data traceability.
- Single address bus.
- Byte write (x9, x18, x36) function.
- Separate read/write control pin ( $\bar{R}$  and  $\bar{W}$ )
- Simple depth expansion with no data contention.
- Programmable output impedance.
- JTAG 1149.1 compatible test access port.
- 165FBGA(11x15 ball array) with body size of 13mmx15mm. & Lead Free
- Operating in commercial and industrial temperature range.

Organization	Part Number	Cycle Time	Access Time	Unit
X36	K7R163682B-E(F)C(I)25	4.0	0.45	ns
	K7R163682B-E(F)C(I)20	5.0	0.45	ns
	K7R163682B-E(F)C(I)16	6.0	0.50	ns
X18	K7R161882B-E(F)C(I)25	4.0	0.45	ns
	K7R161882B-E(F)C(I)20	5.0	0.45	ns
	K7R161882B-E(F)C(I)16	6.0	0.50	ns
X9	K7R160982B-E(F)C(I)25	4.0	0.45	ns
	K7R160982B-E(F)C(I)20	5.0	0.45	ns
	K7R160982B-E(F)C(I)16	6.0	0.50	ns

\* -E(F)C(I)  
E(F) [Package type] : E-Pb Free, F-Pb  
C(I) [Operating Temperature] : C-Commercial, I-Industrial

FUNCTIONAL BLOCK DIAGRAM



Notes: 1. Numbers in ( ) are for x18 device, x9 device also the same with appropriate adjustments of depth and width.

**PIN CONFIGURATIONS(TOP VIEW) K7R163682B(512Kx36)**

	1	2	3	4	5	6	7	8	9	10	11
<b>A</b>	$\overline{CQ}$	NC/SA*	NC/SA*	$\overline{W}$	$\overline{BW}_2$	$\overline{K}$	$\overline{BW}_1$	$\overline{R}$	NC	NC/SA*	CQ
<b>B</b>	Q27	Q18	D18	SA	$\overline{BW}_3$	K	$\overline{BW}_0$	SA	D17	Q17	Q8
<b>C</b>	D27	Q28	D19	V <sub>SS</sub>	SA	SA	SA	V <sub>SS</sub>	D16	Q7	D8
<b>D</b>	D28	D20	Q19	V <sub>SS</sub>	V <sub>SS</sub>	V <sub>SS</sub>	V <sub>SS</sub>	V <sub>SS</sub>	Q16	D15	D7
<b>E</b>	Q29	D29	Q20	V <sub>DDQ</sub>	V <sub>SS</sub>	V <sub>SS</sub>	V <sub>SS</sub>	V <sub>DDQ</sub>	Q15	D6	Q6
<b>F</b>	Q30	Q21	D21	V <sub>DDQ</sub>	V <sub>DD</sub>	V <sub>SS</sub>	V <sub>DD</sub>	V <sub>DDQ</sub>	D14	Q14	Q5
<b>G</b>	D30	D22	Q22	V <sub>DDQ</sub>	V <sub>DD</sub>	V <sub>SS</sub>	V <sub>DD</sub>	V <sub>DDQ</sub>	Q13	D13	D5
<b>H</b>	$\overline{Doff}$	V <sub>REF</sub>	V <sub>DDQ</sub>	V <sub>DDQ</sub>	V <sub>DD</sub>	V <sub>SS</sub>	V <sub>DD</sub>	V <sub>DDQ</sub>	V <sub>DDQ</sub>	V <sub>REF</sub>	ZQ
<b>J</b>	D31	Q31	D23	V <sub>DDQ</sub>	V <sub>DD</sub>	V <sub>SS</sub>	V <sub>DD</sub>	V <sub>DDQ</sub>	D12	Q4	D4
<b>K</b>	Q32	D32	Q23	V <sub>DDQ</sub>	V <sub>DD</sub>	V <sub>SS</sub>	V <sub>DD</sub>	V <sub>DDQ</sub>	Q12	D3	Q3
<b>L</b>	Q33	Q24	D24	V <sub>DDQ</sub>	V <sub>SS</sub>	V <sub>SS</sub>	V <sub>SS</sub>	V <sub>DDQ</sub>	D11	Q11	Q2
<b>M</b>	D33	Q34	D25	V <sub>SS</sub>	V <sub>SS</sub>	V <sub>SS</sub>	V <sub>SS</sub>	V <sub>SS</sub>	D10	Q1	D2
<b>N</b>	D34	D26	Q25	V <sub>SS</sub>	SA	SA	SA	V <sub>SS</sub>	Q10	D9	D1
<b>P</b>	Q35	D35	Q26	SA	SA	C	SA	SA	Q9	D0	Q0
<b>R</b>	TDO	TCK	SA	SA	SA	$\overline{C}$	SA	SA	SA	TMS	TDI

Notes : 1. \* Checked No Connect(NC) pins are reserved for higher density address, i.e. 3A for 72Mb, 10A for 144Mb and 2A for 288Mb.  
2.  $\overline{BW}_0$  controls write to D0:D8,  $\overline{BW}_1$  controls write to D9:D17,  $\overline{BW}_2$  controls write to D18:D26 and  $\overline{BW}_3$  controls write to D27:D35.

**PIN NAME**

SYMBOL	PIN NUMBERS	DESCRIPTION	NOTE
K, $\overline{K}$	6B, 6A	Input Clock	
C, $\overline{C}$	6P, 6R	Input Clock for Output Data	1
CQ, $\overline{CQ}$	11A, 1A	Output Echo Clock	
$\overline{Doff}$	1H	DLL Disable when low	
SA	4B,8B,5C-7C,5N-7N,4P,5P,7P,8P,3R-5R,7R-9R	Address Inputs	
D0-35	10P,11N,11M,10K,11J,11G,10E,11D,11C,10N,9M,9L 9J,10G,9F,10D,9C,9B,3B,3C,2D,3F,2G,3J,3L,3M,2N 1C,1D,2E,1G,1J,2K,1M,1N,2P	Data Inputs	
Q0-35	11P,10M,11L,11K,10J,11F,11E,10C,11B,9P,9N,10L 9K,9G,10F,9E,9D,10B,2B,3D,3E,2F,3G,3K,2L,3N 3P,1B,2C,1E,1F,2J,1K,1L,2M,1P	Data Outputs	
$\overline{W}$	4A	Write Control Pin, active when low	
$\overline{R}$	8A	Read Control Pin, active when low	
$\overline{BW}_0, \overline{BW}_1, \overline{BW}_2, \overline{BW}_3$	7B,7A,5A,5B	Block Write Control Pin, active when low	
V <sub>REF</sub>	2H,10H	Input Reference Voltage	
ZQ	11H	Output Driver Impedance Control Input	2
V <sub>DD</sub>	5F,7F,5G,7G,5H,7H,5J,7J,5K,7K	Power Supply (1.8 V)	
V <sub>DDQ</sub>	4E,8E,4F,8F,4G,8G,3H,4H,8H,9H,4J,8J,4K,8K,4L,8L	Output Power Supply (1.5V or 1.8V)	
V <sub>SS</sub>	4C,8C,4D-8D,5E-7E,6F,6G,6H,6J,6K,5L-7L,4M, 8M,4N,8N	Ground	
TMS	10R	JTAG Test Mode Select	
TDI	11R	JTAG Test Data Input	
TCK	2R	JTAG Test Clock	
TDO	1R	JTAG Test Data Output	
NC	2A,3A,10A, 9A	No Connect	3

Notes: 1. C,  $\overline{C}$ , K or  $\overline{K}$  cannot be set to V<sub>REF</sub> voltage.  
2. When ZQ pin is directly connected to V<sub>DD</sub> output impedance is set to minimum value and it cannot be connected to ground or left unconnected.  
3. Not connected to chip pad internally.

**PIN CONFIGURATIONS(TOP VIEW) K7R161882B(1Mx18)**

	1	2	3	4	5	6	7	8	9	10	11
A	$\overline{CQ}$	NC/SA*	NC	$\overline{W}$	$\overline{BW}_1$	$\overline{K}$	NC	$\overline{R}$	SA	NC/SA*	CQ
B	NC	Q9	D9	SA	NC	K	$\overline{BW}_0$	SA	NC	NC	Q8
C	NC	NC	D10	Vss	SA	SA	SA	Vss	NC	Q7	D8
D	NC	D11	Q10	Vss	Vss	Vss	Vss	Vss	NC	NC	D7
E	NC	NC	Q11	VDDQ	Vss	Vss	Vss	VDDQ	NC	D6	Q6
F	NC	Q12	D12	VDDQ	VDD	Vss	VDD	VDDQ	NC	NC	Q5
G	NC	D13	Q13	VDDQ	VDD	Vss	VDD	VDDQ	NC	NC	D5
H	$\overline{Doff}$	VREF	VDDQ	VDDQ	VDD	Vss	VDD	VDDQ	VDDQ	VREF	ZQ
J	NC	NC	D14	VDDQ	VDD	Vss	VDD	VDDQ	NC	Q4	D4
K	NC	NC	Q14	VDDQ	VDD	Vss	VDD	VDDQ	NC	D3	Q3
L	NC	Q15	D15	VDDQ	Vss	Vss	Vss	VDDQ	NC	NC	Q2
M	NC	NC	D16	Vss	Vss	Vss	Vss	Vss	NC	Q1	D2
N	NC	D17	Q16	Vss	SA	SA	SA	Vss	NC	NC	D1
P	NC	NC	Q17	SA	SA	C	SA	SA	NC	D0	Q0
R	TDO	TCK	SA	SA	SA	$\overline{C}$	SA	SA	SA	TMS	TDI

Notes: 1. \* Checked No Connect(NC) pins are reserved for higher density address, i.e. 10A for 72Mb and 2A for 144Mb.  
2.  $\overline{BW}_0$  controls write to D0:D8 and  $\overline{BW}_1$  controls write to D9:D17.

**PIN NAME**

SYMBOL	PIN NUMBERS	DESCRIPTION	NOTE
K, $\overline{K}$	6B, 6A	Input Clock	
C, $\overline{C}$	6P, 6R	Input Clock for Output Data	1
CQ, $\overline{CQ}$	11A, 1A	Output Echo Clock	
$\overline{Doff}$	1H	DLL Disable when low	
SA	9A,4B,8B,5C-7C,5N-7N,4P,5P,7P,8P,3R-5R,7R-9R	Address Inputs	
D0-17	10P,11N,11M,10K,11J,11G,10E,11D,11C,3B,3C,2D,3F,2G,3J,3L,3M,2N	Data Inputs	
Q0-17	11P,10M,11L,11K,10J,11F,11E,10C,11B,2B,3D,3E,2F,3G,3K,2L,3N,3P	Data Outputs	
$\overline{W}$	4A	Write Control Pin, active when low	
$\overline{R}$	8A	Read Control Pin, active when low	
$\overline{BW}_0, \overline{BW}_1$	7B, 5A	Block Write Control Pin, active when low	
VREF	2H,10H	Input Reference Voltage	
ZQ	11H	Output Driver Impedance Control Input	2
VDD	5F,7F,5G,7G,5H,7H,5J,7J,5K,7K	Power Supply (1.8 V)	
VDDQ	4E,8E,4F,8F,4G,8G,3H,4H,8H,9H,4J,8J,4K,8K,4L,8L	Output Power Supply (1.5V or 1.8V)	
Vss	4C,8C,4D-8D,5E-7E,6F,6G,6H,6J,6K,5L-7L,4M-8M,4N,8N	Ground	
TMS	10R	JTAG Test Mode Select	
TDI	11R	JTAG Test Data Input	
TCK	2R	JTAG Test Clock	
TDO	1R	JTAG Test Data Output	
NC	2A,3A,10A,3A,7A,1B,5B,9B,10B,1C,2C,9C,1D,9D,10D,1E,2E,9E,1F,9F,10F,1G,9G,10G,1J,2J,9J,1K,2K,9K,1L,9L,10L,1M,2M,9M,1N,9N,10N,1P,2P,9P	No Connect	3

Notes: 1. C,  $\overline{C}$ , K or  $\overline{K}$  cannot be set to VREF voltage.  
2. When ZQ pin is directly connected to VDD output impedance is set to minimum value and it cannot be connected to ground or left unconnected.  
3. Not connected to chip pad internally.

**PIN CONFIGURATIONS(TOP VIEW) K7R160982B(2Mx9)**

	1	2	3	4	5	6	7	8	9	10	11
A	$\overline{CQ}$	NC/SA*	SA	$\overline{W}$	NC	$\overline{K}$	NC	$\overline{R}$	SA	Vss	CQ
B	NC	NC	NC	SA	NC	K	$\overline{BW}$	SA	NC	NC	Q3
C	NC	NC	NC	Vss	SA	SA	SA	Vss	NC	NC	D3
D	NC	D4	NC	Vss	Vss	Vss	Vss	Vss	NC	NC	NC
E	NC	NC	Q4	VDDQ	Vss	Vss	Vss	VDDQ	NC	D2	Q2
F	NC	NC	NC	VDDQ	VDD	Vss	VDD	VDDQ	NC	NC	NC
G	NC	D5	Q5	VDDQ	VDD	Vss	VDD	VDDQ	NC	NC	NC
H	$\overline{Doff}$	VREF	VDDQ	VDDQ	VDD	Vss	VDD	VDDQ	VDDQ	VREF	ZQ
J	NC	NC	NC	VDDQ	VDD	Vss	VDD	VDDQ	NC	Q1	D1
K	NC	NC	NC	VDDQ	VDD	Vss	VDD	VDDQ	NC	NC	NC
L	NC	Q6	D6	VDDQ	Vss	Vss	Vss	VDDQ	NC	NC	Q0
M	NC	NC	NC	Vss	Vss	Vss	Vss	Vss	NC	NC	D0
N	NC	D7	NC	Vss	SA	SA	SA	Vss	NC	NC	NC
P	NC	NC	Q7	SA	SA	C	SA	SA	NC	D8	Q8
R	TDO	TCK	SA	SA	SA	$\overline{C}$	SA	SA	SA	TMS	TDI

Notes: 1. \* Checked No Connect(NC) pin is reserved for higher density address, i.e. 2A for 72Mb.  
2.  $\overline{BW}$  controls write to D0:D8 .

**PIN NAME**

SYMBOL	PIN NUMBERS	DESCRIPTION	NOTE
K, $\overline{K}$	6B, 6A	Input Clock	
C, $\overline{C}$	6P, 6R	Input Clock for Output Data	1
CQ, $\overline{CQ}$	11A, 1A	Output Echo Clock	
$\overline{Doff}$	1H	DLL Disable when low	
SA	3A,9A,4B,8B,5C-7C,5N-7N,4P,5P,7P,8P,3R-5R,7R-9R	Address Inputs	
D0-8	11M, 11J, 10E, 11C, 2D, 2G, 3L, 2N, 10P	Data Inputs	
Q0-8	11L, 10J, 11E, 11B, 3E, 3G, 2L, 3P, 11P	Data Outputs	
$\overline{W}$	4A	Write Control Pin, active when low	
$\overline{R}$	8A	Read Control Pin, active when low	
$\overline{BW}$	7B	Nybble Write Control Pin, active when low	
VREF	2H, 10H	Input Reference Voltage	
ZQ	11H	Output Driver Impedance Control Input	2
VDD	5F, 7F, 5G, 7G, 5H, 7H, 5J, 7J, 5K, 7K	Power Supply ( 1.8 V )	
VDDQ	4E, 8E, 4F, 8F, 4G, 8G, 3H, 4H, 8H, 9H, 4J, 8J, 4K, 8K, 4L, 8L	Output Power Supply ( 1.5V or 1.8V )	
Vss	10A, 4C, 8C, 4D-8D, 5E-7E, 6F, 6G, 6H, 6J, 6K, 5L-7L, 4M-8M, 4N, 8N	Ground	
TMS	10R	JTAG Test Mode Select	
TDI	11R	JTAG Test Data Input	
TCK	2R	JTAG Test Clock	
TDO	1R	JTAG Test Data Output	
NC	2A, 7A, 5A, 1B, 2B, 3B, 5B, 9B, 10B, 1C, 2C, 3C, 9C, 10C, 1D, 3D, 9D, 10D, 11D, 1E, 2E, 9E, 1F, 2F, 3F, 9F, 10F, 11F, 1G, 9G, 10G, 11G, 1J, 2J, 3J, 9J, 1K, 2K, 3K, 10K, 11K, 9K, 1L, 9L, 10L, 1M, 2M, 3M, 9M, 10M, 1N, 3N, 9N, 10N, 11N, 1P, 2P, 9P	No Connect	3

Notes: 1. C,  $\overline{C}$ , K or  $\overline{K}$  cannot be set to VREF voltage.  
2. When ZQ pin is directly connected to VDD output impedance is set to minimum value and it cannot be connected to ground or left unconnected.  
3. Not connected to chip pad internally.

## GENERAL DESCRIPTION

The K7R163682B, K7R161882B and K7R160982B are 18,874,368-bits QDR (Quad Data Rate) Synchronous Pipelined Burst SRAMs.

They are organized as 524,288 words by 36bits for K7R163682B, 1,048,576 words by 18 bits for K7R161882B and 2,097,152 words by 9bits for K7R160982B.

The QDR operation is possible by supporting DDR read and write operations through separate data output and input ports with the same cycle. Memory bandwidth is maximized as data can be transferred into SRAM on every rising edge of K and  $\bar{K}$ , and transferred out of SRAM on every rising edge of C and  $\bar{C}$ . And totally independent read and write ports eliminate the need for high speed bus turn around.

Address, data inputs, and all control signals are synchronized to the input clock (K or  $\bar{K}$ ). Normally data outputs are synchronized to output clocks (C and  $\bar{C}$ ), but when C and  $\bar{C}$  are tied high, the data outputs are synchronized to the input clocks (K and  $\bar{K}$ ). Read data are referenced to echo clock (CQ or  $\bar{CQ}$ ) outputs. Read address is registered on rising edges of the input K clocks, and write address is registered on rising edges of the input  $\bar{K}$  clocks. Common address bus is used to access address both for read and write operations.

The internal burst counter is fixed to 2-bit sequential for both read and write operations. Synchronous pipeline read and early write enable high speed operations. Simple depth expansion is accomplished by using  $\bar{R}$  and  $\bar{W}$  for port selection. Byte write operation is supported with  $\bar{BW}_0$  and  $\bar{BW}_1$  ( $\bar{BW}_2$  and  $\bar{BW}_3$ ) pins for x18 (x36) device and only  $\bar{BW}$  pin for x9 device. Nibble write operation is supported with  $\bar{NW}_0$  and  $\bar{NW}_1$  pins for x8 device. IEEE 1149.1 serial boundary scan (JTAG) simplifies monitoring package pads attachment status with system.

The K7R163682B, K7R161882B and K7R160982B are implemented with SAMSUNG's high performance 6T CMOS technology and is available in 165pin FBGA packages. Multiple power and ground pins minimize ground bounce.

## READ OPERATIONS

Read cycles are initiated by activating  $\bar{R}$  at the rising edge of the positive input clock K. Address is presented and stored in the read address register synchronized with K clock.

For 2-bit burst DDR operation, it will access two 36-bit or 18-bit or 9-bit or 8-bit data words with each read command. The first pipelined data is transferred out of the device triggered by  $\bar{C}$  clock following next  $\bar{K}$  clock rising edge. Next burst data is triggered by the rising edge of following C clock rising edge.

Continuous read operations are initiated with K clock rising edge. And pipelined data are transferred out of device on every rising edge of both C and  $\bar{C}$  clocks. In case C and  $\bar{C}$  tied to high, output data are triggered by K and  $\bar{K}$  instead of C and  $\bar{C}$ .

When the  $\bar{R}$  is disabled after a read operation, the K7R163682B, K7R161882B and K7R160982B will first complete burst read operation before entering into deselect mode at the next K clock rising edge. Then output drivers disabled automatically to high impedance state.

## ECHO CLOCK OPERATION

To assure the output traceability, the SRAM provides the output Echo clock, pair of compliment clock CQ and  $\bar{CQ}$ , which are synchronized with internal data output. Echo clocks run free during normal operation. The Echo clock is triggered by internal output clock signal, and transferred to external through same structures as output driver.

## POWER-UP/POWER-DOWN SUPPLY VOLTAGE SEQUENCING

The following power-up supply voltage application is recommended: VSS, VDD, VDDQ, VREF, then VIN. VDD and VDDQ can be applied simultaneously, as long as VDDQ does not exceed VDD by more than 0.5V during power-up. The following power-down supply voltage removal sequence is recommended: VIN, VREF, VDDQ, VDD, VSS. VDD and VDDQ can be removed simultaneously, as long as VDDQ does not exceed VDD by more than 0.5V during power-down.

## WRITE OPERATIONS

Write cycles are initiated by activating  $\overline{W}$  at the rising edge of the positive input clock K.  
Address is presented and stored in the write address register synchronized with following  $\overline{K}$  clock.

For 2-bit burst DDR operation, it will write two 36-bit or 18-bit or 9-bit or 8-bit data words with each write command.  
The first "early" data is transferred and registered in to the device synchronous with same K clock rising edge with  $\overline{W}$  presented.  
Next burst data is transferred and registered synchronous with following  $\overline{K}$  clock rising edge.

Continuous write operations are initiated with K rising edge.  
And "early written" data is presented to the device on every rising edge of both K and  $\overline{K}$  clocks.

When the  $\overline{W}$  is disabled, the K7R163682B, K7R161882B and K7R160982B will enter into deselect mode.  
The device disregards input data presented on the same cycle  $\overline{W}$  disabled.

The K7R163682B, K7R161882B and K7R160982B support byte write operations.  
With activating  $\overline{BW}_0$  or  $\overline{BW}_1$  ( $\overline{BW}_2$  or  $\overline{BW}_3$ ) in write cycle, only one byte of input data is presented.  
In K7R161882B,  $\overline{BW}_0$  controls write operation to D0:D8,  $\overline{BW}_1$  controls write operation to D9:D17.  
And in K7R163682B  $\overline{BW}_2$  controls write operation to D18:D26,  $\overline{BW}_3$  controls write operation to D27:D35.  
And in K7R160982B  $\overline{BW}$  controls write operation to D0:D8.

## PROGRAMMABLE IMPEDANCE OUTPUT BUFFER OPERATION

The designer can program the SRAM's output buffer impedance by terminating the ZQ pin to Vss through a precision resistor(RQ).  
The value of RQ (within 15%) is five times the output impedance desired.

For example, 250Ω resistor will give an output impedance of 50Ω.  
Impedance updates occur early in cycles that do not activate the outputs, such as deselect cycles.  
In all cases impedance updates are transparent to the user and do not produce access time "push-outs" or other anomalous behavior in the SRAM.

To guarantee optimum output driver impedance after power up, the SRAM needs 1024 non-read cycles.

## CLOCK CONSIDERATION

K7R163682B, K7R161882B and K7R160982B utilizes internal DLL (Delay-Locked Loops) for maximum output data valid window.

It can be placed into a stopped-clock state to minimize power with a modest restart time of 1024 clock cycles.  
Circuitry automatically resets the DLL when absence of input clock is detected.

## SINGLE CLOCK MODE

K7R163682B, K7R161882B and K7R160982B can be operated with the single clock pair K and  $\overline{K}$ , instead of C or  $\overline{C}$  for output clocks.

To operate these devices in single clock mode, C and  $\overline{C}$  must be tied high during power up and must be maintained high during operation.

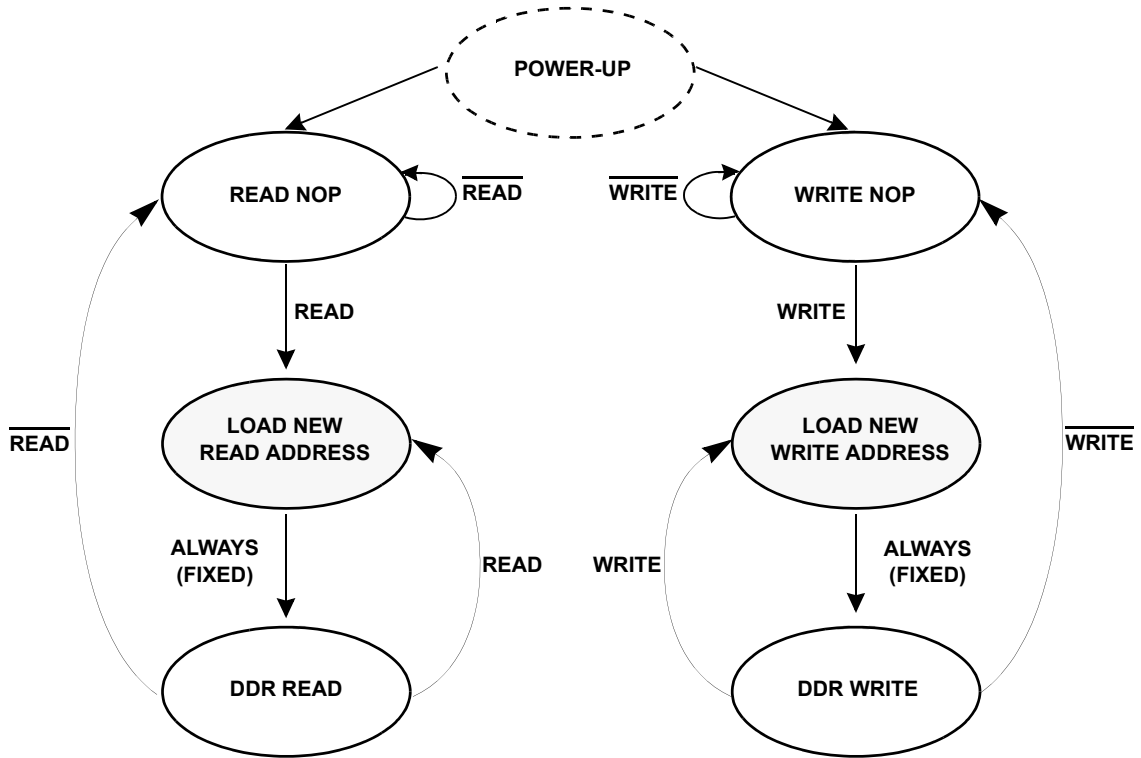
After power up, this device can't change to or from single clock mode.  
System flight time and clock skew could not be compensated in this mode.

## DEPTH EXPANSION

Separate input and output ports enables easy depth expansion.  
Each port can be selected and deselected independently and read and write operation do not affect each other.  
Before chip deselected, all read and write pending operations are completed.



STATE DIAGRAM



- Notes:**
1. Internal burst counter is fixed as 2-bit linear, i.e. when first address is A0+0, next internal burst address is A0+1.
  2. "READ" refers to read active status with  $\overline{R}$ =Low, " $\overline{READ}$ " refers to read inactive status with  $\overline{R}$ =high. "WRITE" and " $\overline{WRITE}$ " are the same case.
  3. Read and write state machine can be active simultaneously.
  4. State machine control timing sequence is controlled by K.

TRUTH TABLES

SYNCHRONOUS TRUTH TABLE

K	$\bar{R}$	$\bar{W}$	D		Q		OPERATION
			D(A0)	D(A1)	Q(A0)	Q(A1)	
Stopped	X	X	Previous state	Previous state	Previous state	Previous state	Clock Stop
↑	H	H	X	X	High-Z	High-Z	No Operation
↑	L	X	X	X	DOUT at $\bar{C}(t+1)$	DOUT at C(t+2)	Read
↑	X	L	Din at K(t)	Din at $\bar{K}(t)$	X	X	Write

- Notes: 1. X means "Don't Care".  
 2. The rising edge of clock is symbolized by (↑).  
 3. Before enter into clock stop status, all pending read and write operations will be completed.

WRITE TRUTH TABLE(x18)

K	$\bar{K}$	$\bar{BW}_0$	$\bar{BW}_1$	OPERATION
↑		L	L	WRITE ALL BYTES (K↑)
	↑	L	L	WRITE ALL BYTES ( $\bar{K}$ ↑)
↑		L	H	WRITE BYTE 0 (K↑)
	↑	L	H	WRITE BYTE 0 ( $\bar{K}$ ↑)
↑		H	L	WRITE BYTE 1 (K↑)
	↑	H	L	WRITE BYTE 1 ( $\bar{K}$ ↑)
↑		H	H	WRITE NOTHING (K↑)
	↑	H	H	WRITE NOTHING ( $\bar{K}$ ↑)

- Notes: 1. X means "Don't Care".  
 2. All inputs in this table must meet setup and hold time around the rising edge of input clock K or  $\bar{K}$  (↑).  
 3. Assumes a WRITE cycle was initiated.  
 4. This table illustrates operation for x18 devices. x9 device operation is similar except that  $\bar{BW}$  controls D0:D8.

WRITE TRUTH TABLE(x36)

K	$\bar{K}$	$\bar{BW}_0$	$\bar{BW}_1$	$\bar{BW}_2$	$\bar{BW}_3$	OPERATION
↑		L	L	L	L	WRITE ALL BYTES (K↑)
	↑	L	L	L	L	WRITE ALL BYTES ( $\bar{K}$ ↑)
↑		L	H	H	H	WRITE BYTE 0 (K↑)
	↑	L	H	H	H	WRITE BYTE 0 ( $\bar{K}$ ↑)
↑		H	L	H	H	WRITE BYTE 1 (K↑)
	↑	H	L	H	H	WRITE BYTE 1 ( $\bar{K}$ ↑)
↑		H	H	L	L	WRITE BYTE 2 and BYTE 3 (K↑)
	↑	H	H	L	L	WRITE BYTE 2 and BYTE 3 ( $\bar{K}$ ↑)
↑		H	H	H	H	WRITE NOTHING (K↑)
	↑	H	H	H	H	WRITE NOTHING ( $\bar{K}$ ↑)

- Notes: 1. X means "Don't Care".  
 2. All inputs in this table must meet setup and hold time around the rising edge of input clock K or  $\bar{K}$  (↑).  
 3. Assumes a WRITE cycle was initiated.

**ABSOLUTE MAXIMUM RATINGS\***

PARAMETER	SYMBOL	RATING	UNIT	
Voltage on VDD Supply Relative to VSS	VDD	-0.5 to 2.9	V	
Voltage on VDDQ Supply Relative to VSS	VDDQ	-0.5 to VDD	V	
Voltage on Input Pin Relative to VSS	VIN	-0.5 to VDD+0.3	V	
Storage Temperature	TSTG	-65 to 150	°C	
Operating Temperature	Commercial	TOPR	0 to 70	°C
	Industrial	TOPR	-40 to 85	°C
Storage Temperature Range Under Bias	TBIAS	-10 to 85	°C	

- \*Note: 1. Stresses greater than those listed under "Absolute Maximum Ratings" may cause permanent damage to the device. This is a stress rating only and functional operation of the device at these or any other conditions above those indicated in the operating sections of this specification is not implied. Exposure to absolute maximum rating conditions for extended periods may affect reliability.  
2. VDDQ must not exceed VDD during normal operation.

**DC ELECTRICAL CHARACTERISTICS**(VDD=1.8V ±0.1V, TA=0°C to +70°C)

PARAMETER	SYMBOL	TEST CONDITIONS	MIN	MAX	UNIT	NOTE	
Input Leakage Current	IIL	VDD=Max ; VIN=VSS to VDDQ	-2	+2	μA		
Output Leakage Current	IOL	Output Disabled,	-2	+2	μA		
Operating Current (x36) : DDR	ICC	VDD=Max , IOUT=0mA Cycle Time ≥ tKHKH Min	-25	-	600	mA	1,5
			-20	-	550		
			-16	-	500		
Operating Current (x18) : DDR	ICC	VDD=Max , IOUT=0mA Cycle Time ≥ tKHKH Min	-25	-	500	mA	1,5
			-20	-	450		
			-16	-	400		
Operating Current (x9) : DDR	ICC	VDD=Max , IOUT=0mA Cycle Time ≥ tKHKH Min	-25	-	480	mA	1,5
			-20	-	430		
			-16	-	380		
Standby Current (NOP): DDR	ISB1	Device deselected, IOUT=0mA, f=Max, All Inputs ≤ 0.2V or ≥ VDD-0.2V	-25	-	280	mA	1,6
			-20	-	260		
			-16	-	240		
Output High Voltage	VOH1		VDDQ/2-0.12	VDDQ/2+0.12	V	2,7	
Output Low Voltage	VOL1		VDDQ/2-0.12	VDDQ/2+0.12	V	3,7	
Output High Voltage	VOH2	I <sub>OH</sub> =-1.0mA	VDDQ-0.2	VDDQ	V	4	
Output Low Voltage	VOL2	I <sub>OL</sub> =1.0mA	VSS	0.2	V	4	
Input Low Voltage	VIL		-0.3	VREF-0.1	V	8,9	
Input High Voltage	VIH		VREF+0.1	VDDQ+0.3	V	8,10	

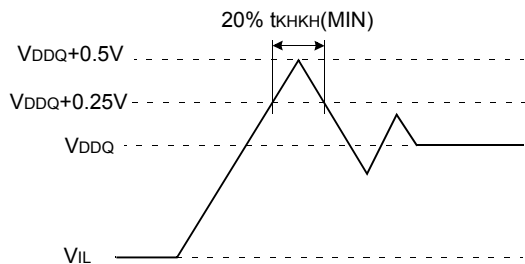
- Notes: 1. Minimum cycle. IOUT=0mA.  
2. |I<sub>OH</sub>|=(VDDQ/2)/(RQ/5)±15% for 175Ω ≤ RQ ≤ 350Ω.  
3. |I<sub>OL</sub>|=(VDDQ/2)/(RQ/5)±15% for 175Ω ≤ RQ ≤ 350Ω.  
4. Minimum Impedance Mode when ZQ pin is connected to VDDQ.  
5. Operating current is calculated with 50% read cycles and 50% write cycles.  
6. Standby Current is only after all pending read and write burst operations are completed.  
7. Programmable Impedance Mode.  
8. These are DC test criteria. DC design criteria is VREF±50mV. The AC VIH/VIL levels are defined separately for measuring timing parameters.  
9. VIL (Min) DC=-0.3V, VIL (Min) AC=-1.5V(pulse width ≤ 3ns).  
10. VIH (Max)DC=VDDQ+0.3, VIH (Max)AC=VDDQ+0.85V(pulse width ≤ 3ns).

**AC ELECTRICAL CHARACTERISTICS** ( $V_{DD}=1.8V \pm 0.1V$ ,  $T_A=0^\circ C$  to  $+70^\circ C$ )

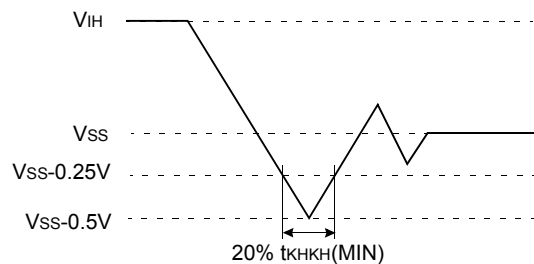
PARAMETER	SYMBOL	MIN	MAX	UNIT	NOTES
Input High Voltage	$V_{IH} (AC)$	$V_{REF} + 0.2$	-	V	1,2
Input Low Voltage	$V_{IL} (AC)$	-	$V_{REF} - 0.2$	V	1,2

- Notes:** 1. This condition is for AC function test only, not for AC parameter test.  
2. To maintain a valid level, the transition edge of the input must:  
a) Sustain a constant slew rate from the current AC level through the target AC level,  $V_{IL(AC)}$  or  $V_{IH(AC)}$   
b) Reach at least the target AC level  
c) After the AC target level is reached, continue to maintain at least the target DC level,  $V_{IL(DC)}$  or  $V_{IH(DC)}$

**Overershoot Timing**



**Undershoot Timing**



**Note:** For power-up,  $V_{IH} \leq V_{DDQ}+0.3V$  and  $V_{DD} \leq 1.7V$  and  $V_{DDQ} \leq 1.4V$   $t \leq 200ms$

**OPERATING CONDITIONS** ( $0^\circ C \leq T_A \leq 70^\circ C$ )

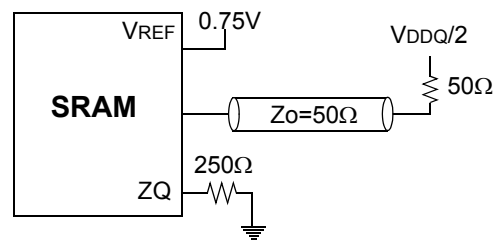
PARAMETER	SYMBOL	Min	MAX	UNIT
Supply Voltage	$V_{DD}$	1.7	1.9	V
	$V_{DDQ}$	1.4	1.9	V
Reference Voltage	$V_{REF}$	0.68	0.95	V
Ground	$V_{SS}$	0	0	V

**AC TEST CONDITIONS**

Parameter	Symbol	Value	Unit
Core Power Supply Voltage	$V_{DD}$	1.7~1.9	V
Output Power Supply Voltage	$V_{DDQ}$	1.4~1.9	V
Input High/Low Level	$V_{IH}/V_{IL}$	1.25/0.25	V
Input Reference Level	$V_{REF}$	0.75	V
Input Rise/Fall Time	$T_R/T_F$	0.3/0.3	ns
Output Timing Reference Level		$V_{DDQ}/2$	V

**Note:** Parameters are tested with  $R_Q=250\Omega$

**AC TEST OUTPUT LOAD**



AC TIMING CHARACTERISTICS (V<sub>DD</sub>=1.8V±0.1V, T<sub>A</sub>=0°C to +70°C)

PARAMETER	SYMBOL	-25		-20		-16		UNITS	NOTES
		MIN	MAX	MIN	MAX	MIN	MAX		
<b>Clock</b>									
Clock Cycle Time (K, $\bar{K}$ , C, $\bar{C}$ )	t <sub>KHKH</sub>	4.00	8.40	5.00	8.40	6.00	8.40	ns	
Clock Phase Jitter (K, $\bar{K}$ , C, $\bar{C}$ )	t <sub>KC var</sub>		0.20		0.20		0.20	ns	5
Clock High Time (K, $\bar{K}$ , C, $\bar{C}$ )	t <sub>KHKL</sub>	1.60		2.00		2.40		ns	
Clock Low Time (K, $\bar{K}$ , C, $\bar{C}$ )	t <sub>KLKH</sub>	1.60		2.00		2.40		ns	
Clock to $\bar{C}$ Clock (K $\uparrow$ → $\bar{K}\uparrow$ , C $\uparrow$ → $\bar{C}\uparrow$ )	t <sub>KH<math>\bar{K}</math>H</sub>	1.80		2.20		2.70		ns	
Clock to data clock (K $\uparrow$ → C $\uparrow$ , $\bar{K}\uparrow$ → $\bar{C}\uparrow$ )	t <sub>KHCH</sub>	0.00	1.80	0.00	2.30	0.00	2.80	ns	
DLL Lock Time (K, C)	t <sub>KC lock</sub>	1024		1024		1024		cycle	6
K Static to DLL reset	t <sub>KC reset</sub>	30		30		30		ns	
<b>Output Times</b>									
C, $\bar{C}$ High to Output Valid	t <sub>CHQV</sub>		0.45		0.45		0.50	ns	3
C, $\bar{C}$ High to Output Hold	t <sub>CHQX</sub>	-0.45		-0.45		-0.50		ns	3
C, $\bar{C}$ High to Echo Clock Valid	t <sub>CHCQV</sub>		0.45		0.45		0.50	ns	
C, $\bar{C}$ High to Echo Clock Hold	t <sub>CHCQX</sub>	-0.45		-0.45		-0.50		ns	
CQ, $\bar{C}Q$ High to Output Valid	t <sub>CQHQV</sub>		0.30		0.35		0.40	ns	7
CQ, $\bar{C}Q$ High to Output Hold	t <sub>CQHQX</sub>	-0.30		-0.35		-0.40		ns	7
$\bar{C}$ , High to Output High-Z	t <sub>CHQZ</sub>		0.45		0.45		0.50	ns	3
$\bar{C}$ , High to Output Low-Z	t <sub>CHQX1</sub>	-0.45		-0.45		-0.50		ns	3
<b>Setup Times</b>									
Address valid to K rising edge	t <sub>AVKH</sub>	0.35		0.40		0.50		ns	
Control inputs valid to K rising edge	t <sub>IVKH</sub>	0.35		0.40		0.50		ns	2
Data-in valid to K, $\bar{K}$ rising edge	t <sub>DVKH</sub>	0.35		0.40		0.50		ns	
<b>Hold Times</b>									
K rising edge to address hold	t <sub>KHAX</sub>	0.35		0.40		0.50		ns	
K rising edge to control inputs hold	t <sub>KHIX</sub>	0.35		0.40		0.50		ns	
K, $\bar{K}$ rising edge to data-in hold	t <sub>KHDX</sub>	0.35		0.40		0.50		ns	

- Notes:**
- All address inputs must meet the specified setup and hold times for all latching clock edges.
  - Control signals are  $\bar{R}$  and  $\bar{W}$ .  
In case of BW<sub>0</sub>, BW<sub>1</sub> (BW<sub>2</sub>, BW<sub>3</sub>, also for x36) signal follow the data setup/hold times.
  - If C,  $\bar{C}$  are tied high, K,  $\bar{K}$  become the references for C,  $\bar{C}$  timing parameters.
  - To avoid bus contention, at a given voltage and temperature t<sub>CHQX1</sub> is bigger than t<sub>CHQZ</sub>.  
The specs as shown do not imply bus contention because t<sub>CHQX1</sub> is a MIN parameter that is worst case at totally different test conditions (0°C, 1.9V) than t<sub>CHQZ</sub>, which is a MAX parameter (worst case at 70°C, 1.7V).  
It is not possible for two SRAMs on the same board to be at such different voltage and temperature.
  - Clock phase jitter is the variance from clock rising edge to the next expected clock rising edge.
  - V<sub>DD</sub> slew rate must be less than 0.1V DC per 50 ns for DLL lock retention. DLL lock time begins once V<sub>DD</sub> and input clock are stable.

**PIN CAPACITANCE**

PRMETER	SYMBOL	TESTCONDITION	TYP	MAX	Unit	NOTES
Address Control Input Capacitance	C <sub>IN</sub>	V <sub>IN</sub> =0V	4	5	pF	
Input and Output Capacitance	C <sub>OUT</sub>	V <sub>OUT</sub> =0V	6	7	pF	
Clock Capacitance	C <sub>CLK</sub>	-	5	6	pF	

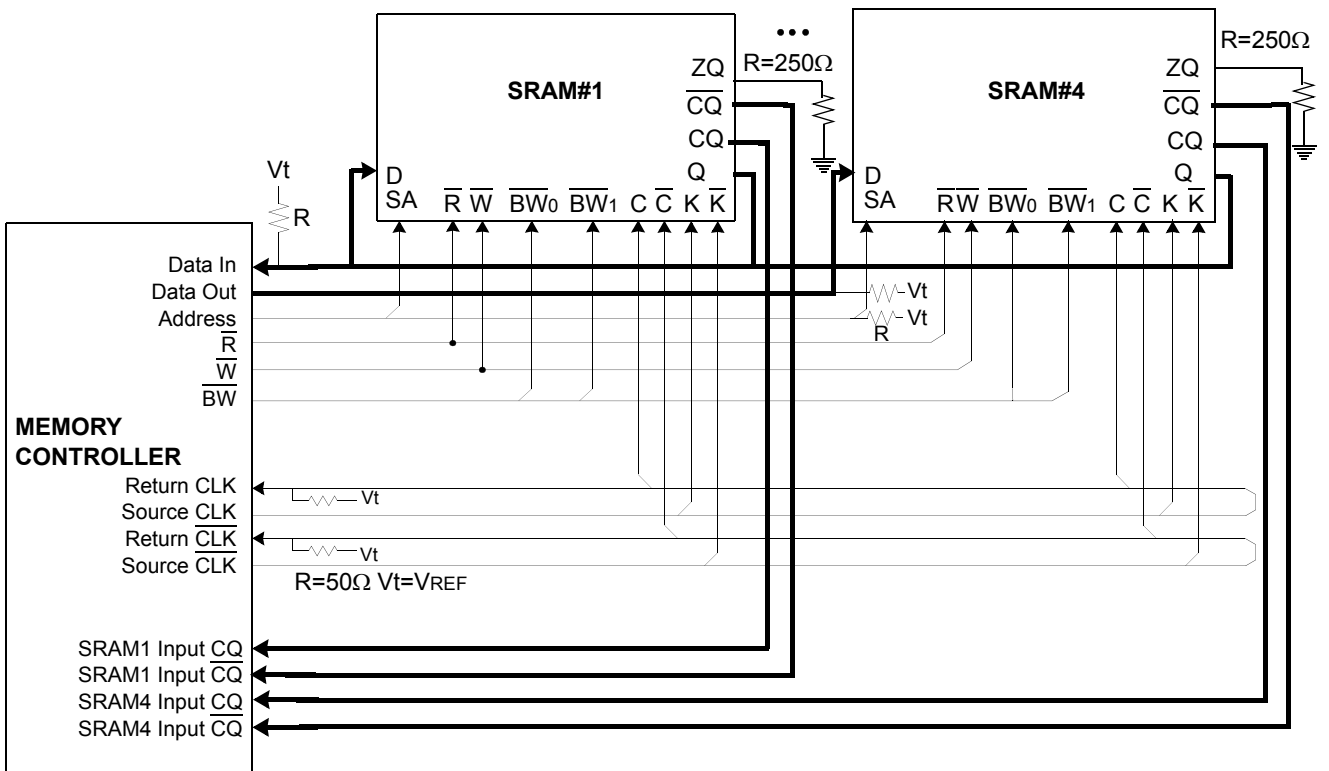
**Note:** 1. Parameters are tested with R<sub>Q</sub>=250Ω and V<sub>DDQ</sub>=1.5V.  
 2. Periodically sampled and not 100% tested.

**THERMAL RESISTANCE**

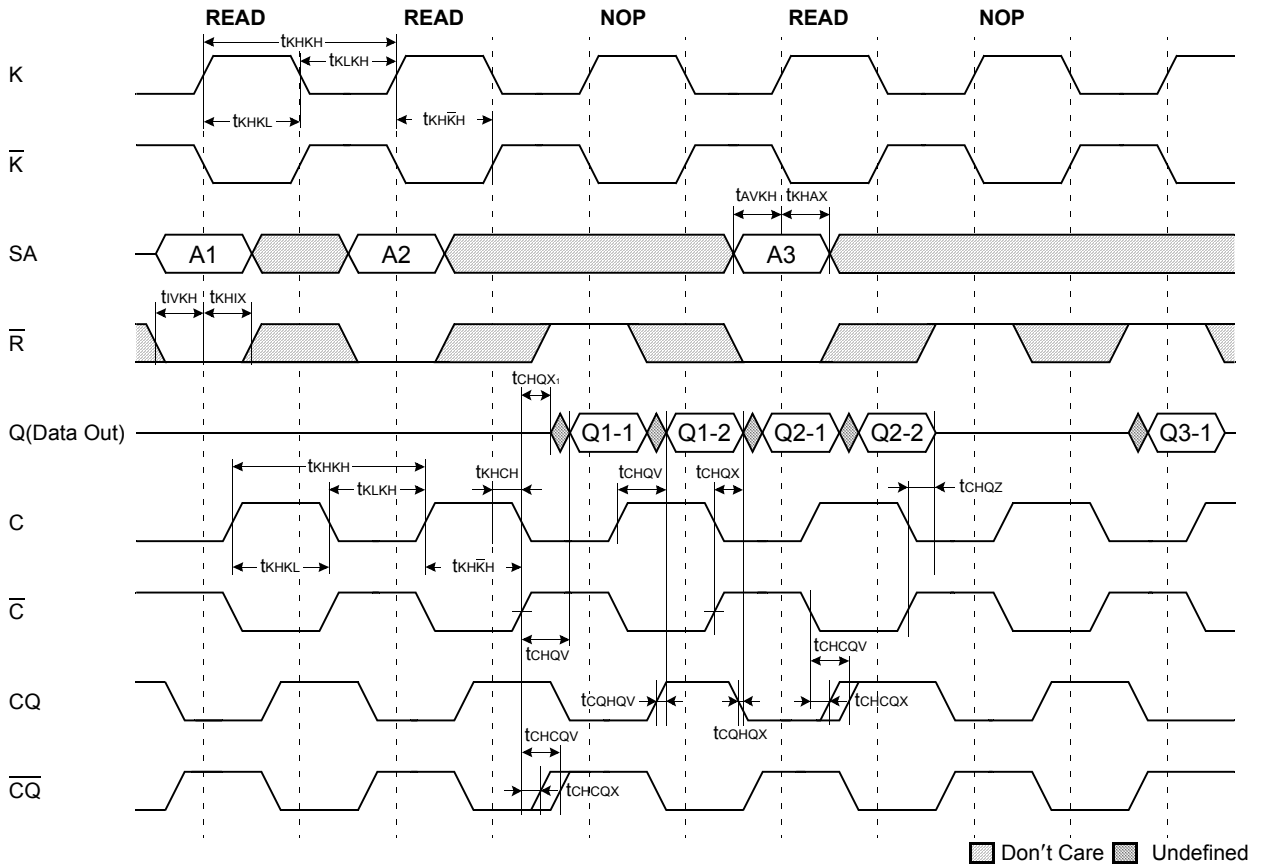
PRMETER	SYMBOL	Typ	Unit	NOTES
Junction to Ambient	θ <sub>JA</sub>	17.1	°C/W	
Junction to Case	θ <sub>JC</sub>	3.3	°C/W	

**Note:** Junction temperature is a function of on-chip power dissipation, package thermal impedance, mounting site temperature and mounting site thermal impedance. T<sub>J</sub>=T<sub>A</sub> + P<sub>D</sub> x θ<sub>JA</sub>

**APPLICATION INFORMATION**

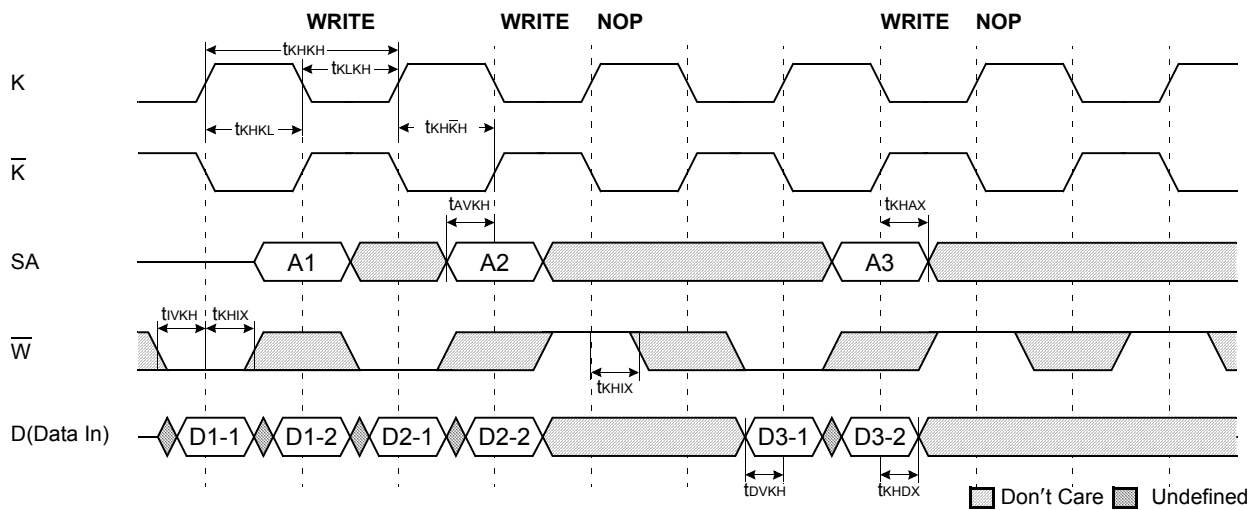


**TIMING WAVE FORMS OF READ AND NOP**



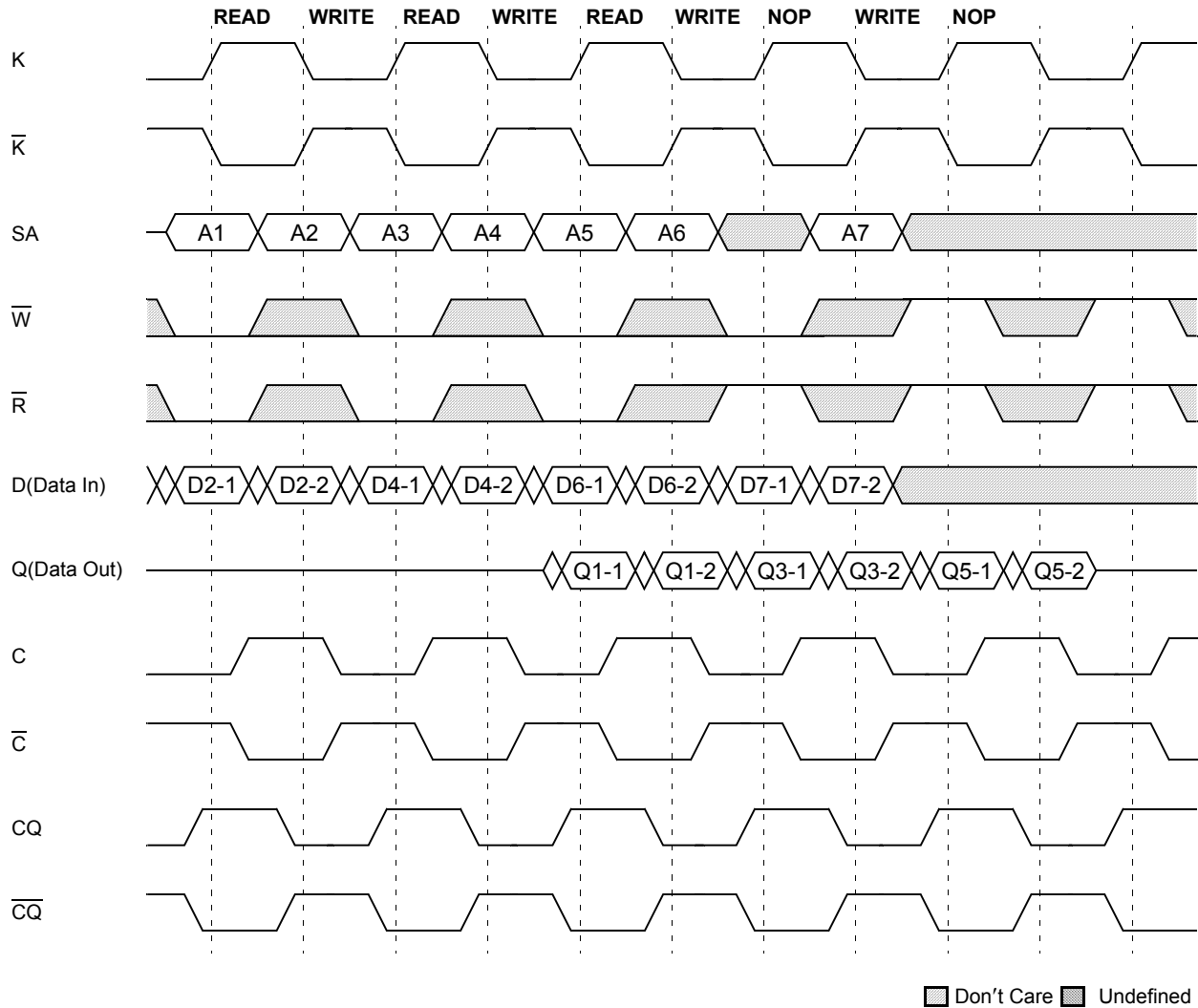
**Note:** 1. Q1-1 refers to output from address A1+0, Q1-2 refers to output from address A1+1 i.e. the next internal burst address following A1+0.  
2. Outputs are disabled one cycle after a NOP.

**TIMING WAVE FORMS OF WRITE AND NOP**



**Note:** 1. D1-1 refers to input to address A1+0, D1-2 refers to input to address A1+1, i.e. the next internal burst address following A1+0.  
2. BWx (NWx) assumed active.

TIMING WAVE FORMS OF READ, WRITE AND NOP



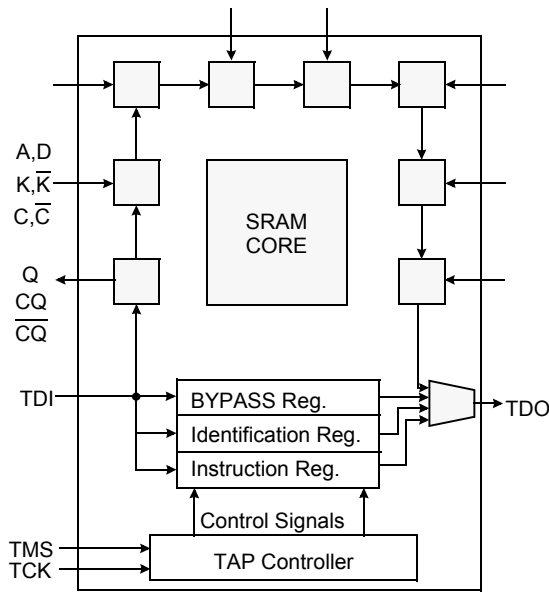
**Note:** 1. If address A1=A2, data Q1-1=D2-1, data Q1-2=D2-2.  
 Write data is forwarded immediately as read results.  
 2.  $\bar{BWx}$  ( $\bar{NWx}$ ) assumed active.



**IEEE 1149.1 TEST ACCESS PORT AND BOUNDARY SCAN-JTAG**

This part contains an IEEE standard 1149.1 Compatible Test Access Port(TAP). The package pads are monitored by the Serial Scan circuitry when in test mode. This is to support connectivity testing during manufacturing and system diagnostics. Internal data is not driven out of the SRAM under JTAG control. In conformance with IEEE 1149.1, the SRAM contains a TAP controller, Instruction Register, Bypass Register and ID register. The TAP controller has a standard 16-state machine that resets internally upon power-up, therefore, TRST signal is not required. It is possible to use this device without utilizing the TAP. To disable the TAP controller without interfacing with normal operation of the SRAM, TCK must be tied to Vss to preclude mid level input. TMS and TDI are designed so an undriven input will produce a response identical to the application of a logic 1, and may be left unconnected. But they may also be tied to VDD through a resistor. TDO should be left unconnected.

**JTAG BLOCK DIAGRAM**



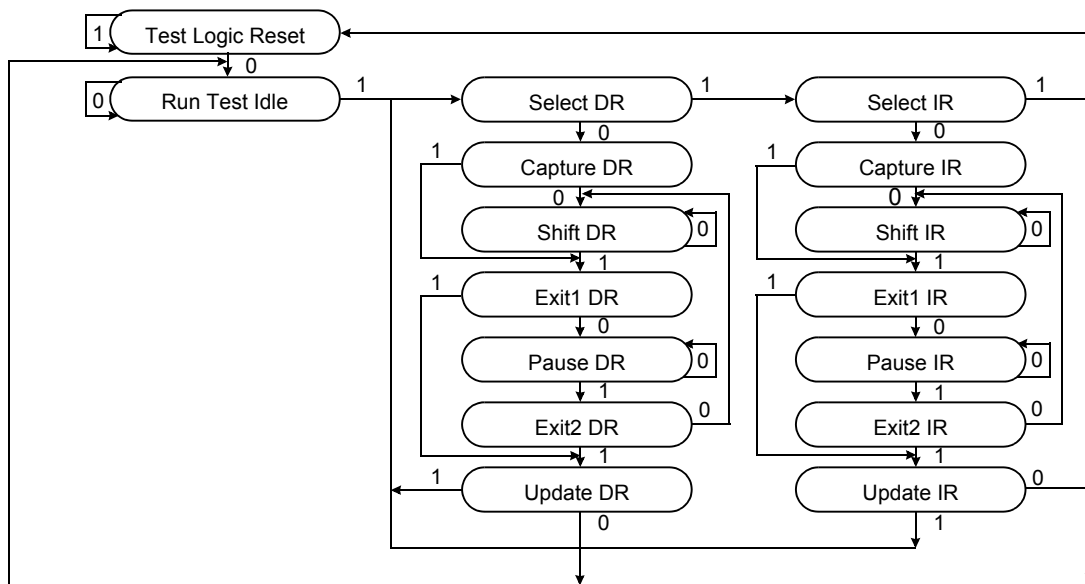
**JTAG INSTRUCTION CODING**

IR2	IR1	IR0	Instruction	TDO Output	Notes
0	0	0	EXTEST	Boundary Scan Register	1
0	0	1	IDCODE	Identification Register	3
0	1	0	SAMPLE-Z	Boundary Scan Register	2
0	1	1	RESERVED	Do Not Use	6
1	0	0	SAMPLE	Boundary Scan Register	5
1	0	1	RESERVED	Do Not Use	6
1	1	0	RESERVED	Do Not Use	6
1	1	1	BYPASS	Bypass Register	4

**NOTE :**

1. Places DQs in Hi-Z in order to sample all input data regardless of other SRAM inputs. This instruction is not IEEE 1149.1 compliant.
2. Places DQs in Hi-Z in order to sample all input data regardless of other SRAM inputs.
3. TDI is sampled as an input to the first ID register to allow for the serial shift of the external TDI data.
4. Bypass register is initiated to Vss when BYPASS instruction is invoked. The Bypass Register also holds serially loaded TDI when exiting the Shift DR states.
5. SAMPLE instruction dose not places DQs in Hi-Z.
6. This instruction is reserved for future use.

**TAP CONTROLLER STATE DIAGRAM**



**SCAN REGISTER DEFINITION**

Part	Instruction Register	Bypass Register	ID Register	Boundary Scan
512Kx36	3 bits	1 bit	32 bits	107 bits
1Mx18	3 bits	1 bit	32 bits	107 bits
2M x9	3 bits	1 bit	32 bits	107 bits

**ID REGISTER DEFINITION**

Part	Revision Number (31:29)	Part Configuration (28:12)	Samsung JEDEC Code (11: 1)	Start Bit(0)
512Kx36	000	00def0wx0t0q0b0s0	00001001110	1
1Mx18	000	00def0wx0t0q0b0s0	00001001110	1
2M x9	000	00def0wx0t0q0b0s0	00001001110	1

Note : Part Configuration

/def=001 for 18Mb, /wx=11 for x36, 10 for x18, 00 for x9.

/t=1 for DLL Ver., 0 for non-DLL Ver. /q=1 for QDR, 0 for DDR /b=1 for 4Bit Burst, 0 for 2Bit Burst /s=1 for Separate I/O, 0 for Common I/O

**BOUNDARY SCAN EXIT ORDER**

ORDER	PIN ID
1	6R
2	6P
3	6N
4	7P
5	7N
6	7R
7	8R
8	8P
9	9R
10	11P
11	10P
12	10N
13	9P
14	10M
15	11N
16	9M
17	9N
18	11L
19	11M
20	9L
21	10L
22	11K
23	10K
24	9J
25	9K
26	10J
27	11J
28	11H
29	10G
30	9G
31	11F
32	11G
33	9F
34	10F
35	11E
36	10E

ORDER	PIN ID
37	10D
38	9E
39	10C
40	11D
41	9C
42	9D
43	11B
44	11C
45	9B
46	10B
47	11A
48	Internal
49	9A
50	8B
51	7C
52	6C
53	8A
54	7A
55	7B
56	6B
57	6A
58	5B
59	5A
60	4A
61	5C
62	4B
63	3A
64	1H
65	1A
66	2B
67	3B
68	1C
69	1B
70	3D
71	3C
72	1D

ORDER	PIN ID
73	2C
74	3E
75	2D
76	2E
77	1E
78	2F
79	3F
80	1G
81	1F
82	3G
83	2G
84	1J
85	2J
86	3K
87	3J
88	2K
89	1K
90	2L
91	3L
92	1M
93	1L
94	3N
95	3M
96	1N
97	2M
98	3P
99	2N
100	2P
101	1P
102	3R
103	4R
104	4P
105	5P
106	5N
107	5R

Note: 1. NC pins are read as "X" ( i.e. don't care.)

### JTAG DC OPERATING CONDITIONS

Parameter	Symbol	Min	Typ	Max	Unit	Note
Power Supply Voltage	V <sub>DD</sub>	1.7	1.8	1.9	V	
Input High Level	V <sub>IH</sub>	1.3	-	V <sub>DD</sub> +0.3	V	
Input Low Level	V <sub>IL</sub>	-0.3	-	0.5	V	
Output High Voltage(I <sub>OH</sub> =-2mA)	V <sub>OH</sub>	1.4	-	V <sub>DD</sub>	V	
Output Low Voltage(I <sub>OL</sub> =2mA)	V <sub>OL</sub>	V <sub>SS</sub>	-	0.4	V	

Note: 1. The input level of SRAM pin is to follow the SRAM DC specification.

### JTAG AC TEST CONDITIONS

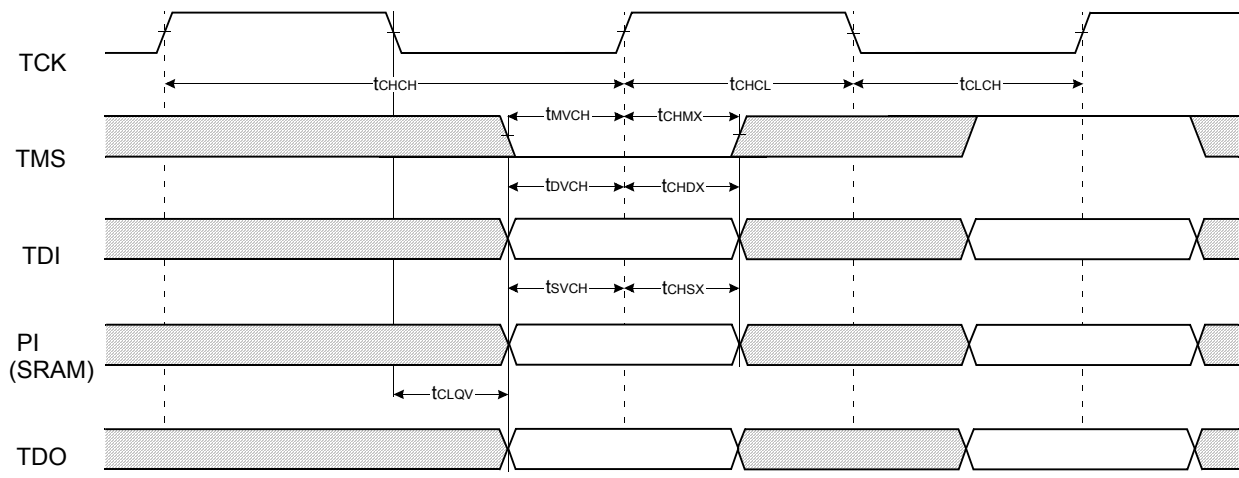
Parameter	Symbol	Min	Unit	Note
Input High/Low Level	V <sub>IH</sub> /V <sub>IL</sub>	1.8/0.0	V	
Input Rise/Fall Time	TR/TF	1.0/1.0	ns	
Input and Output Timing Reference Level		0.9	V	1

Note: 1. See SRAM AC test output load on page 11.

### JTAG AC Characteristics

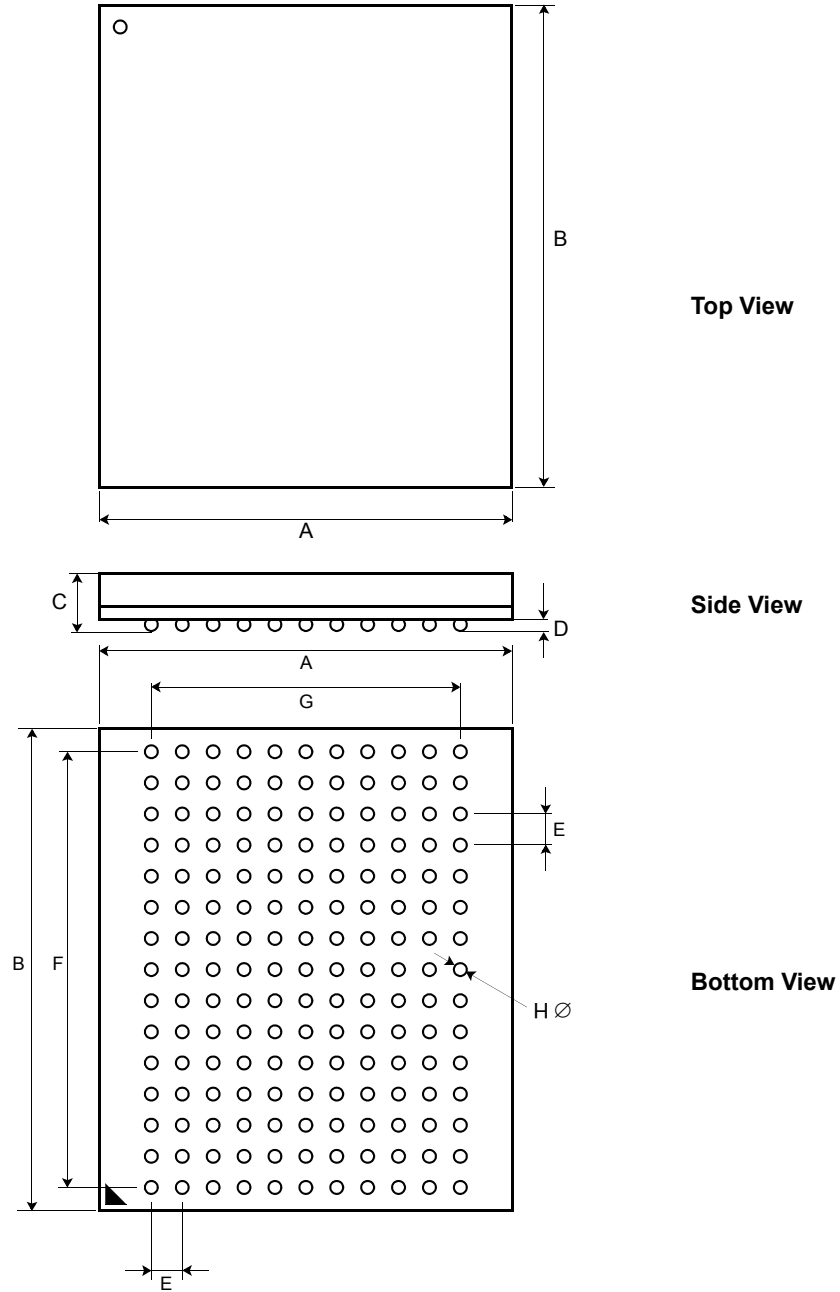
Parameter	Symbol	Min	Max	Unit	Note
TCK Cycle Time	t <sub>CHCH</sub>	50	-	ns	
TCK High Pulse Width	t <sub>CHCL</sub>	20	-	ns	
TCK Low Pulse Width	t <sub>CLCH</sub>	20	-	ns	
TMS Input Setup Time	t <sub>MVCH</sub>	5	-	ns	
TMS Input Hold Time	t <sub>CHMX</sub>	5	-	ns	
TDI Input Setup Time	t <sub>DVCH</sub>	5	-	ns	
TDI Input Hold Time	t <sub>CHDX</sub>	5	-	ns	
SRAM Input Setup Time	t <sub>SVCH</sub>	5	-	ns	
SRAM Input Hold Time	t <sub>CHSX</sub>	5	-	ns	
Clock Low to Output Valid	t <sub>CLQV</sub>	0	10	ns	

### JTAG TIMING DIAGRAM



165 FBGA PACKAGE DIMENSIONS

13mm x 15mm Body, 1.0mm Bump Pitch, 11x15 Ball Array



Symbol	Value	Units	Note	Symbol	Value	Units	Note
A	13 ± 0.1	mm		E	1.0	mm	
B	15 ± 0.1	mm		F	14.0	mm	
C	1.3 ± 0.1	mm		G	10.0	mm	
D	0.35 ± 0.05	mm		H	0.5 ± 0.05	mm	