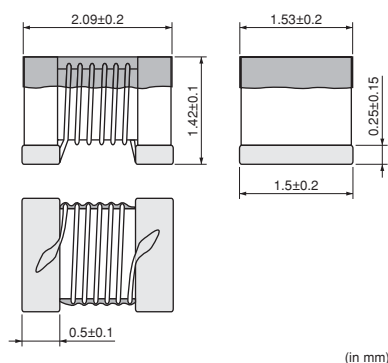


Chip Inductor (Chip Coil) for High Frequency Horizontal Wire Wound

LQW2BA Series (0805 Size)

■ Dimensions



■ Packaging

Code	Packaging	Minimum Quantity
L	180mm Embossed Tape	2000

■ Rated Value (□: packaging code)

Part Number	Inductance	Test Frequency	Rated Current	Max. of DC Resistance	Q (min.)	Test Frequency	Self Resonance Frequency (min.)
LQW2BAS2N8J00□	2.8nH ±5%	250MHz	800mA	0.06ohm	80	1500MHz	12200MHz
LQW2BAS3N0J00□	3.0nH ±5%	250MHz	800mA	0.06ohm	65	1500MHz	12200MHz
LQW2BAS5N6J00□	5.6nH ±5%	250MHz	600mA	0.08ohm	65	1000MHz	5900MHz
LQW2BAS6N8J00□	6.8nH ±5%	250MHz	600mA	0.11ohm	50	1000MHz	5600MHz
LQW2BAS7N5J00□	7.5nH ±5%	250MHz	600mA	0.14ohm	50	1000MHz	4800MHz
LQW2BAS8N2J00□	8.2nH ±5%	250MHz	600mA	0.12ohm	50	1000MHz	4400MHz
LQW2BAS10NJ00□	10nH ±5%	250MHz	600mA	0.10ohm	60	500MHz	4300MHz
LQW2BAS12NJ00□	12nH ±5%	250MHz	600mA	0.15ohm	50	500MHz	4000MHz
LQW2BAS15NJ00□	15nH ±5%	250MHz	600mA	0.17ohm	50	500MHz	3200MHz
LQW2BAS18NJ00□	18nH ±5%	250MHz	600mA	0.20ohm	50	500MHz	3100MHz
LQW2BAS22NJ00□	22nH ±5%	250MHz	500mA	0.22ohm	55	500MHz	2600MHz
LQW2BAS24NJ00□	24nH ±5%	250MHz	500mA	0.22ohm	50	500MHz	2400MHz
LQW2BAS27NJ00□	27nH ±5%	250MHz	500mA	0.25ohm	55	500MHz	2580MHz
LQW2BAS33NG00□	33nH ±2%	250MHz	500mA	0.27ohm	60	500MHz	2150MHz
LQW2BAS33NJ00□	33nH ±5%	250MHz	500mA	0.27ohm	60	500MHz	2150MHz
LQW2BAS36NG00□	36nH ±2%	250MHz	500mA	0.27ohm	55	500MHz	1900MHz
LQW2BAS36NJ00□	36nH ±5%	250MHz	500mA	0.27ohm	55	500MHz	1900MHz
LQW2BAS39NG00□	39nH ±2%	250MHz	500mA	0.29ohm	60	500MHz	2000MHz
LQW2BAS39NJ00□	39nH ±5%	250MHz	500mA	0.29ohm	60	500MHz	2000MHz
LQW2BAS43NG00□	43nH ±2%	200MHz	500mA	0.34ohm	60	500MHz	1800MHz
LQW2BAS43NJ00□	43nH ±5%	200MHz	500mA	0.34ohm	60	500MHz	1800MHz
LQW2BAS47NG00□	47nH ±2%	200MHz	500mA	0.31ohm	60	500MHz	1700MHz
LQW2BAS47NJ00□	47nH ±5%	200MHz	500mA	0.31ohm	60	500MHz	1700MHz
LQW2BAS56NG00□	56nH ±2%	200MHz	500mA	0.34ohm	60	500MHz	1600MHz
LQW2BAS56NJ00□	56nH ±5%	200MHz	500mA	0.34ohm	60	500MHz	1600MHz
LQW2BAS68NG00□	68nH ±2%	200MHz	500mA	0.38ohm	60	500MHz	1500MHz

Operating Temperature Range (Self-temperature rise is not included): -55 to +125°C

Only for reflow soldering.

Continued on the following page.

● This data sheet is applied for CHIP INDUCTORS (CHIP COILS) used for General Electronics equipment for your design.

⚠ Note:

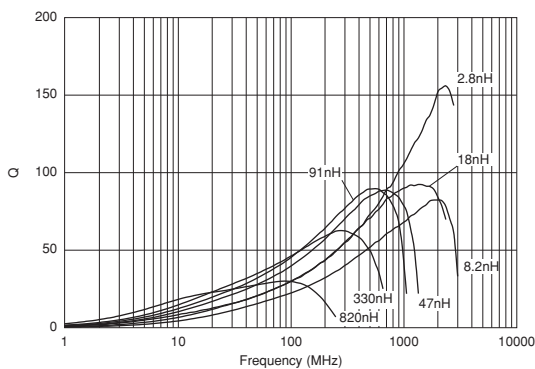
- This datasheet is downloaded from the website of Murata Manufacturing co., ltd. Therefore, it's specifications are subject to change or our products in it may be discontinued without advance notice. Please check with our sales representatives or product engineers before ordering.
- This datasheet has only typical specifications because there is no space for detailed specifications. Therefore, please approve our product specifications or transact the approval sheet for product specifications before ordering.

 Continued from the preceding page.

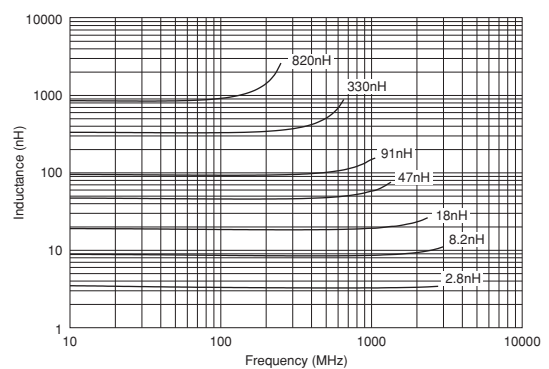
Part Number	Inductance	Test Frequency	Rated Current	Max. of DC Resistance	Q (min.)	Test Frequency	Self Resonance Frequency (min.)
LQW2BAS68NJ00□	68nH ±5%	200MHz	500mA	0.38ohm	60	500MHz	1500MHz
LQW2BAS82NG00□	82nH ±2%	150MHz	400mA	0.42ohm	65	500MHz	1330MHz
LQW2BAS82NJ00□	82nH ±5%	150MHz	400mA	0.42ohm	65	500MHz	1330MHz
LQW2BAS91NG00□	91nH ±2%	150MHz	400mA	0.48ohm	65	500MHz	1330MHz
LQW2BAS91NJ00□	91nH ±5%	150MHz	400mA	0.48ohm	65	500MHz	1330MHz
LQW2BASR10G00□	100nH ±2%	150MHz	400mA	0.46ohm	65	500MHz	1250MHz
LQW2BASR10J00□	100nH ±5%	150MHz	400mA	0.46ohm	65	500MHz	1250MHz
LQW2BASR11G00□	110nH ±2%	150MHz	400mA	0.48ohm	50	250MHz	1100MHz
LQW2BASR11J00□	110nH ±5%	150MHz	400mA	0.48ohm	50	250MHz	1100MHz
LQW2BASR12G00□	120nH ±2%	150MHz	400mA	0.51ohm	50	250MHz	1100MHz
LQW2BASR12J00□	120nH ±5%	150MHz	400mA	0.51ohm	50	250MHz	1100MHz
LQW2BASR15G00□	150nH ±2%	100MHz	400mA	0.56ohm	50	250MHz	920MHz
LQW2BASR15J00□	150nH ±5%	100MHz	400mA	0.56ohm	50	250MHz	920MHz
LQW2BASR18G00□	180nH ±2%	100MHz	400mA	0.64ohm	50	250MHz	920MHz
LQW2BASR18J00□	180nH ±5%	100MHz	400mA	0.64ohm	50	250MHz	920MHz
LQW2BASR22G00□	220nH ±2%	100MHz	400mA	0.70ohm	50	250MHz	820MHz
LQW2BASR22J00□	220nH ±5%	100MHz	400mA	0.70ohm	50	250MHz	820MHz
LQW2BASR24G00□	240nH ±2%	100MHz	350mA	1.00ohm	44	250MHz	770MHz
LQW2BASR24J00□	240nH ±5%	100MHz	350mA	1.00ohm	44	250MHz	770MHz
LQW2BASR27G00□	270nH ±2%	100MHz	350mA	1.00ohm	48	250MHz	730MHz
LQW2BASR27J00□	270nH ±5%	100MHz	350mA	1.00ohm	48	250MHz	730MHz
LQW2BASR33G00□	330nH ±2%	100MHz	310mA	1.40ohm	48	250MHz	650MHz
LQW2BASR33J00□	330nH ±5%	100MHz	310mA	1.40ohm	48	250MHz	650MHz
LQW2BASR39J00□	390nH ±5%	100MHz	290mA	1.50ohm	48	250MHz	600MHz
LQW2BASR47J00□	470nH ±5%	50MHz	250mA	1.76ohm	33	100MHz	300MHz
LQW2BASR56J00□	560nH ±5%	25MHz	230mA	1.90ohm	23	50MHz	270MHz
LQW2BASR68J00□	680nH ±5%	25MHz	190mA	2.20ohm	23	50MHz	250MHz
LQW2BASR82J00□	820nH ±5%	25MHz	180mA	2.35ohm	23	50MHz	230MHz


Operating Temperature Range (Self-temperature rise is not included): -55 to +125°C
Only for reflow soldering.

■ Q-Frequency Characteristics (Typ.)



■ Inductance-Frequency Characteristics (Typ.)




Continued on the following page. 

● This data sheet is applied for CHIP INDUCTORS (CHIP COILS) used for General Electronics equipment for your design.

⚠ Note:

- This datasheet is downloaded from the website of Murata Manufacturing co., ltd. Therefore, it's specifications are subject to change or our products in it may be discontinued without advance notice. Please check with our sales representatives or product engineers before ordering.
- This datasheet has only typical specifications because there is no space for detailed specifications. Therefore, please approve our product specifications or transact the approval sheet for product specifications before ordering.

 Continued from the preceding page.

■ Caution/Notice

Caution (Rating)

Do not use products beyond the rated current as this may create excessive heat.

Notice

Solderability of Tin plating termination chip might be deteriorated when low temperature soldering profile where peak solder temperature is below the Tin melting point is used. Please confirm the solderability of Tin plating termination chip before use.

● This data sheet is applied for CHIP INDUCTORS (CHIP COILS) used for General Electronics equipment for your design.

Note:

1. This datasheet is downloaded from the website of Murata Manufacturing co., ltd. Therefore, it's specifications are subject to change or our products in it may be discontinued without advance notice. Please check with our sales representatives or product engineers before ordering.
2. This datasheet has only typical specifications because there is no space for detailed specifications. Therefore, please approve our product specifications or transact the approval sheet for product specifications before ordering.