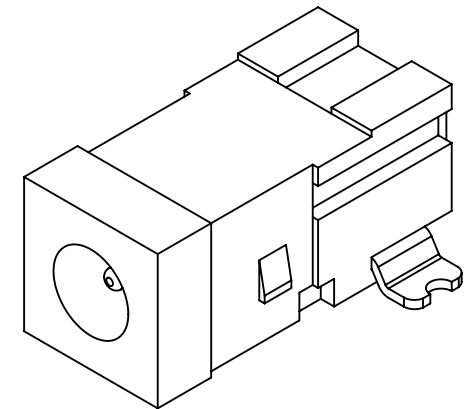
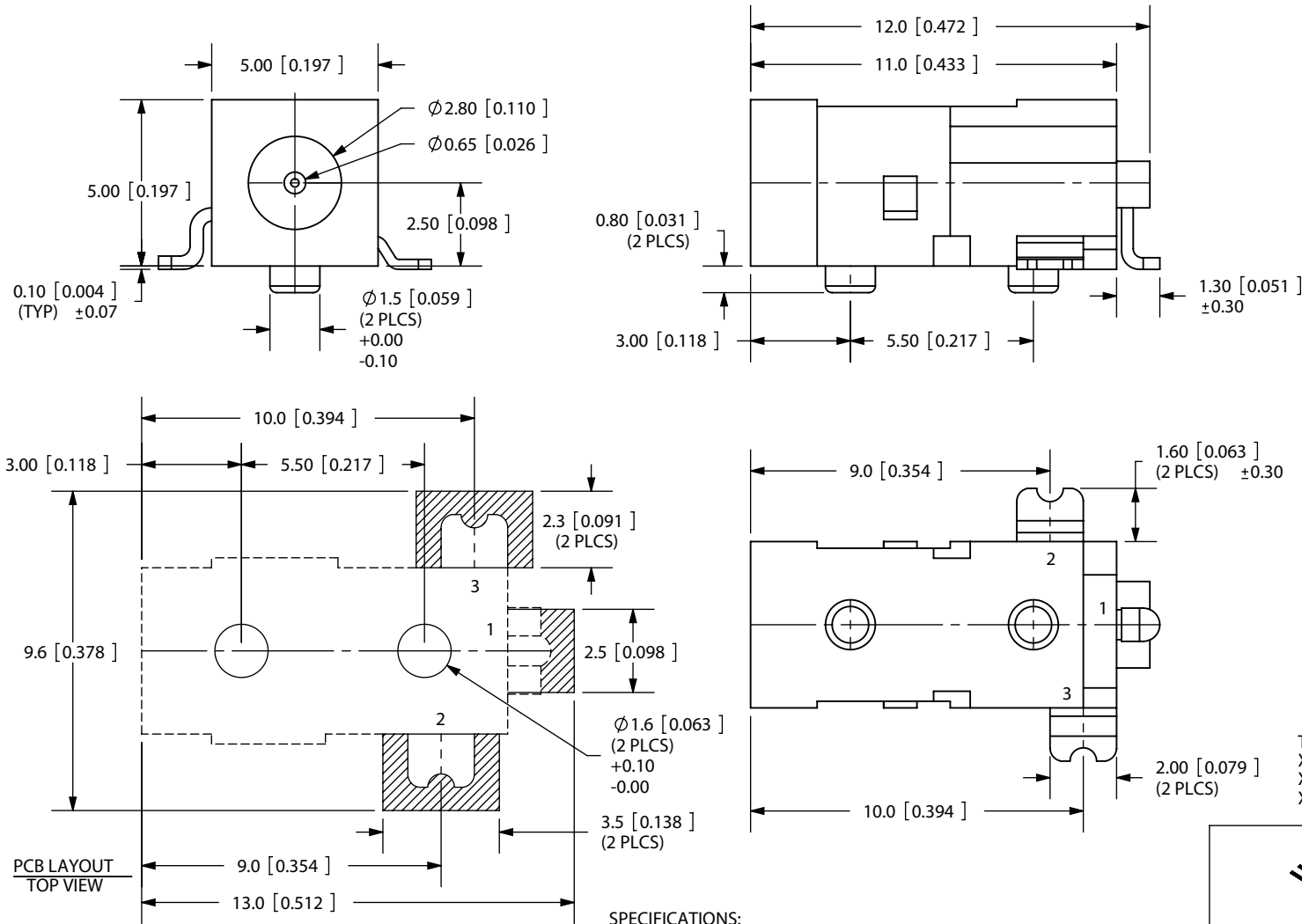


REV.	DESCRIPTION	DATE
A	NEW DRAWING	2/1/2007



TOLERANCE:  
 X.X  $\pm 0.2$ mm  
 X.XX  $\pm 0.1$ mm  
 X.XXX  $\pm 0.05$ mm

**SPECIFICATIONS:**  
 RATING: 16V DC @ 2.5A  
 CONTACT RESISTANCE: 50m OHMS MAX  
 INSULATION RESISTANCE: 100M OHMS MIN: 500V DC  
 VOLTAGE WITHSTAND: 500V AC R.M.S. FOR 1 MINUTE  
 LIFE: 5,000 CYCLES  
 OPERATING TEMP: -25° ~ +85°C

MODEL NO.	PJ-031H-SMT
SCHEMATIC	

CENTER PIN DIAMETER 0.65mm Dia.

PC FILE NAME:  
 PJ-031H-SMT

COPYRIGHT 2007 BY CUI INC.

	MATERIAL	PLATING	TITLE: 0.65mm SURFACE MOUNT POWER JACK	REV: A
TERMINAL 1	Brass	Silver	PART NO. PJ-031H-SMT	UNITS: MM [INCHES]
TERMINAL 2	Copper Alloy	Silver		
TERMINAL 3	Brass	Silver	DRAWN BY: ZRJ	APPROVED BY:
BODY	PA6T			SCALE: 5:1



20050 SW 112th Ave.  
 Tualatin, OR 97062  
 Phone: 503-612-2300  
 800-275-4899  
 Fax: 503-612-2383  
 Website: www.cui.com