

PolySwitch®
PTC Devices
Overcurrent Protection Device

PRODUCT: RXEF020S

DOCUMENT: SCD26521
REV LETTER: E
REV DATE: FEBRUARY 06, 2012
PAGE NO.: 1 OF 1

Specification Status: Released

Electrical Rating

Voltage: 72 V max (AC or DC)
Current: 40 A max (AC or DC)

Insulating Material:

Cured, Flame Retardant Epoxy Polymer
meets UL94 V-0 Requirements

Lead Material:

24 AWG Tin Plated Copper Clad Steel

Marking:

— Manufacturer's Mark
⊗ X20 and Part Identification

□ □ □ □ — Lot Identification

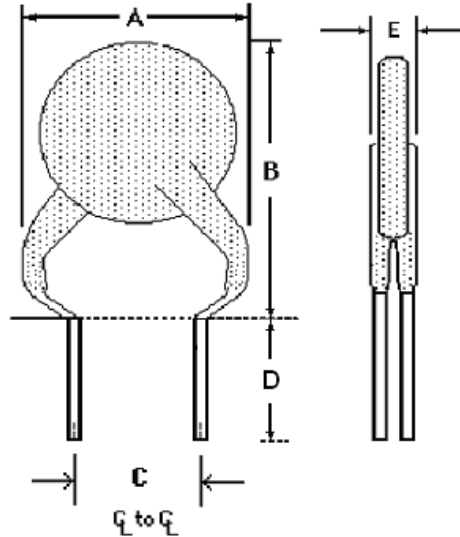


TABLE I. DIMENSIONS:

	A		B		C		D		E	
	MIN	MAX	MIN	MAX	MIN	MAX	MIN	MAX	MIN	MAX
mm:	--	8.9	--	11.2	4.3	5.8	7.6	--	--	3.0
in*:	--	(0.35)	--	(0.44)	(0.17)	(0.23)	(0.30)	--	--	(0.12)

*Rounded off approximation

TABLE II. PERFORMANCE RATINGS:

I HOLD RATED CURRENT	CURRENT RATINGS		INITIAL RESISTANCE VALUES		TIME TO TRIP	ONE HOUR POST-TRIP RESISTANCE STANDARD TRIP	TRIPPED- STATE POWER DISSIPATION	
	AMPERES AT 20°C HOLD	AMPERES AT 20°C HOLD TRIP	OHMS AT 20°C MIN MAX		SECONDS AT 20°C, 1.0A MAX	OHMS AT 20°C NOMINAL	WATTS AT 20°C NOMINAL	WATTS AT 20°C MAX
0.20	0.20	0.40	1.83	2.75	2.2	4.40	0.41	0.64

Agency Recognitions:

UL, CSA, TUV

Reference Documents:

PS300

Precedence:

This specification takes precedence over documents referenced herein.

Effectivity:

Reference documents shall be the issue in effect on the date of invitation for bid.

CAUTION:

Operation beyond the rated voltage or current may result in rupture, electrical arcing or flame.

Materials Information

ROHS Compliant

ELV Compliant

Pb-Free

Halogen Free*

Directive 2002/95/EC Compliant

Directive 2000/53/EC Compliant



* Halogen Free refers to: Br≤900ppm, Cl≤900ppm, Br+Cl≤1500ppm.