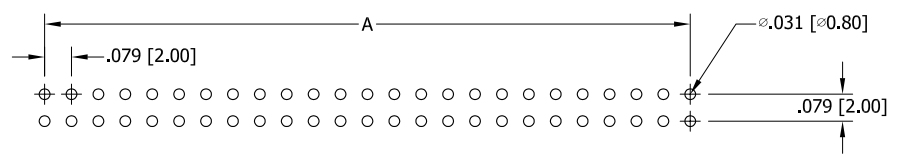
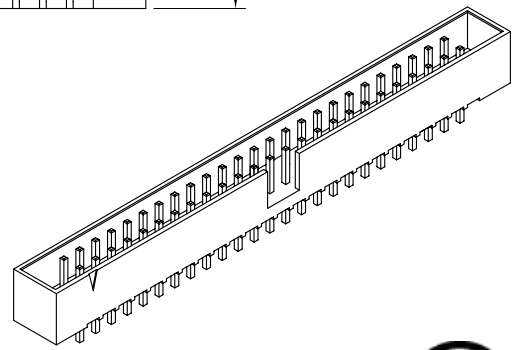
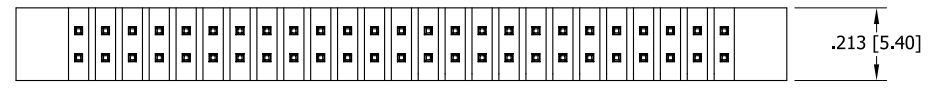
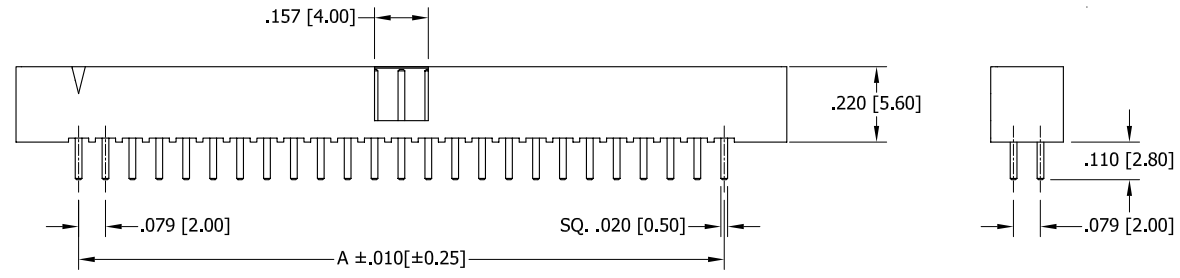
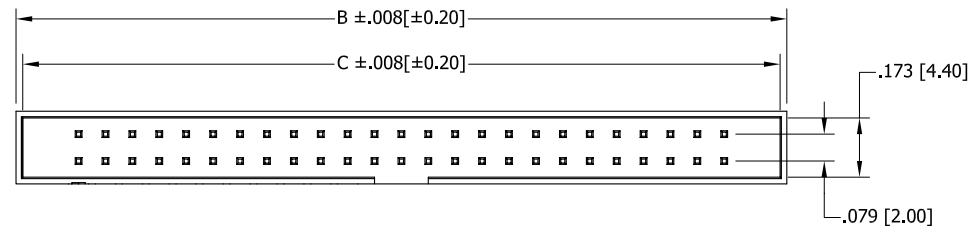


REVISIONS				
REV.	ECO. NO	DESCRIPTION	DATE	BY
A	1682	INITIAL RELEASE	5/14/2008	VJ
B	1852	UPDATE NOTE 3 & TOLERANCE BLOCK	11/13/2008	JH



RECOMMENDED PCB LAYOUT



## PART NUMBER CODING

SBH21 - NBPN - D - - - ST - - -

**NUMBER OF POSITIONS**  
(CONTACTS PER ROW)

**TERMINATION**  
STRAIGHT

**COLOR**  
BK = BLACK  
YE = YELLOW  
RE = RED  
BL = BLUE  
GR = GREEN  
GY = GREY  
WH = WHITE  
OR = ORANGE

**NOTES:**

- INSULATOR MATERIAL: NYLON 6T.
- CONTACT MATERIAL: BRASS.
- PLATING: GOLD FLASH OVERALL.
- OPERATING TEMPERATURE: -40°C ~ 85°C.
- PROCESSING TEMP: 230°C FOR 60 SECONDS MAX. (260°C, 10 SEC.)
- UL FLAMMABILITY RATING: 94V-0.
- VOLTAGE RATING: 20m OHMS MAX.
- CURRENT RATING: 2 AMP PER CONTACT.
- VOLTAGE DROP: AC 500 V.
- INSULATION RESISTANCE: 1000 MEGA OHMS.

PART NUMBER	POSITIONS/ CONTACTS	A		B		C	
		INCH	MM	INCH	MM	INCH	MM
SBH21-NBPN-D03-ST-__	3/6	0.157	4.00	0.524	13.30	0.484	12.30
SBH21-NBPN-D04-ST-__	4/8	0.236	6.00	0.602	15.30	0.563	14.30
SBH21-NBPN-D05-ST-__	5/10	0.315	8.00	0.681	17.30	0.642	16.30
SBH21-NBPN-D06-ST-__	6/12	0.394	10.00	0.760	19.30	0.720	18.30
SBH21-NBPN-D07-ST-__	7/14	0.472	12.00	0.839	21.30	0.799	20.30
SBH21-NBPN-D08-ST-__	8/16	0.551	14.00	0.917	23.30	0.878	22.30
SBH21-NBPN-D09-ST-__	9/18	0.630	16.00	0.996	25.30	0.957	24.30
SBH21-NBPN-D10-ST-__	10/20	0.709	18.00	1.075	27.30	1.035	26.30
SBH21-NBPN-D11-ST-__	11/22	0.787	20.00	1.154	29.30	1.114	28.30
SBH21-NBPN-D12-ST-__	12/24	0.866	22.00	1.232	31.30	1.193	30.30
SBH21-NBPN-D13-ST-__	13/26	0.945	24.00	1.311	33.30	1.272	32.30
SBH21-NBPN-D14-ST-__	14/28	1.024	26.00	1.390	35.30	1.350	34.30
SBH21-NBPN-D15-ST-__	15/30	1.102	28.00	1.469	37.30	1.429	36.30
SBH21-NBPN-D16-ST-__	16/32	1.181	30.00	1.547	39.30	1.508	38.30
SBH21-NBPN-D17-ST-__	17/34	1.260	32.00	1.626	41.30	1.587	40.30
SBH21-NBPN-D18-ST-__	18/36	1.339	34.00	1.705	43.30	1.665	42.30
SBH21-NBPN-D19-ST-__	19/38	1.417	36.00	1.783	45.30	1.744	44.30
SBH21-NBPN-D20-ST-__	20/40	1.496	38.00	1.862	47.30	1.823	46.30
SBH21-NBPN-D22-ST-__	22/44	1.654	42.00	2.020	51.30	1.902	48.30
SBH21-NBPN-D25-ST-__	25/50	1.890	48.00	2.256	57.30	1.980	50.30
SBH21-NBPN-D27-ST-__	27/54	2.047	52.00	2.413	61.30	2.059	52.30
SBH21-NBPN-D28-ST-__	28/56	2.126	54.00	2.492	63.30	2.138	54.30
SBH21-NBPN-D30-ST-__	30/60	2.283	58.00	2.650	67.30	2.217	56.30
SBH21-NBPN-D31-ST-__	31/62	2.362	60.00	2.728	69.30	2.295	58.30
SBH21-NBPN-D32-ST-__	32/64	2.441	62.00	2.807	71.30	2.374	60.30
SBH21-NBPN-D34-ST-__	34/68	2.598	66.00	2.965	75.30	2.453	62.30



RoHS COMPLIANT

UNLESS OTHERWISE SPECIFIED:  
DIMENSIONS ARE IN INCHES[MM]  
TOLERANCES:  
ANGULAR: ± 1°  
.XX = ±.012 [0.30]  
.XXX = ±.008 [0.20]  
.XXXX = ±.004 [0.10]  
PARENTHEetical INFORMATION IS FOR REFERENCE ONLY  
INTERPRET DIMENSIONS AND GEOMETRIC TOLERANCING PER: ANSI Y14.5-1984

DATE	NAME
5/14/2008	V. JARA

THE INFORMATION HEREIN CONTAINS PROPRIETARY INFORMATION OF SULLINS ELECTRONICS AND IS NOT TO BE REPRODUCED, USED OR DISCLOSED TO OTHERS FOR ANY PURPOSE EXCEPT AS SPECIFICALLY AUTHORIZED IN WRITING BY AN OFFICER OF SULLINS ELECTRONICS.

**SULLINS**  
CONNECTOR SOLUTIONS

DESCRIPTION: BOX HEADER, .079[2.00] CC/RS  
PART NUMBER: SBH21-NBPN-D-\_-ST-\_-  
SIZE: DWG. NO. 11095  
SCALE: NONE

REV: B  
SHEET 1 OF 1