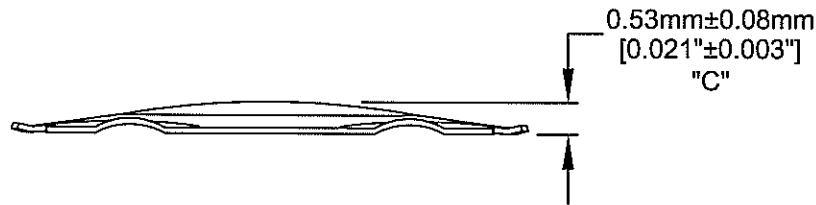
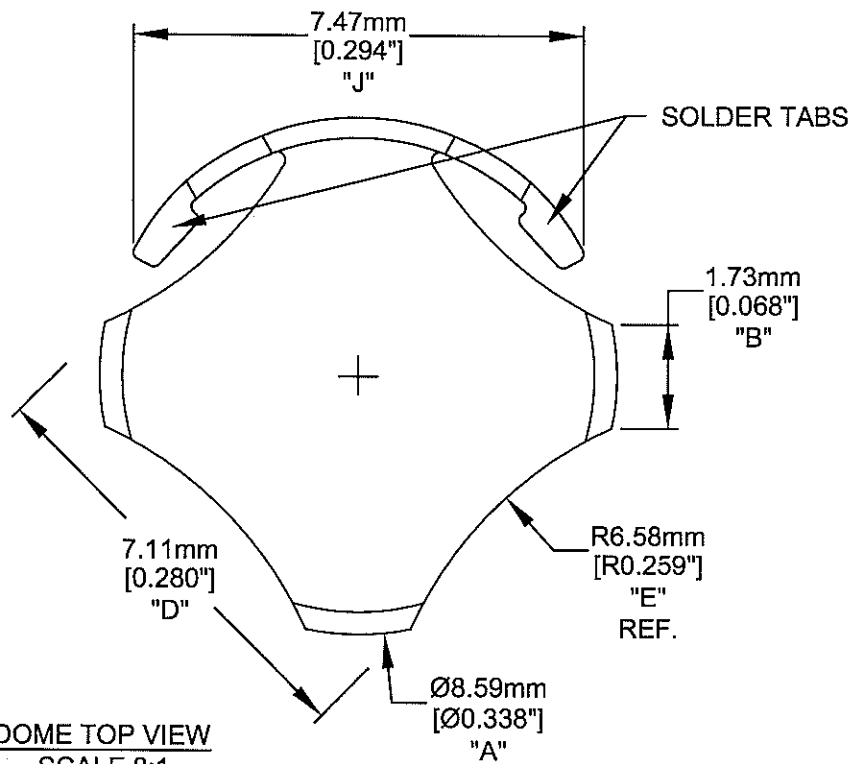


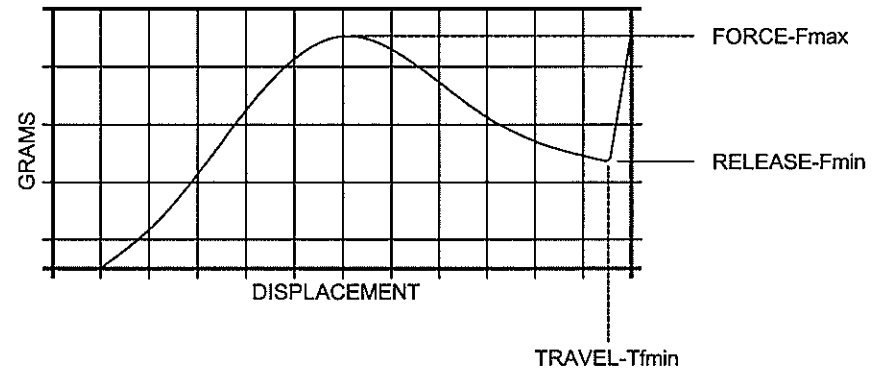
REF: Dome Removed from Strip



DOMESIDE VIEW
SCALE 8:1



DOMETOP VIEW
SCALE 8:1



- FORCE (Fmax): 450 ± 50 Grams TYP.
- RELEASE (Fmin): 240 Grams Ref.
- TACTILE RATIO (%): 36-56% Avg.
- TRAVEL: 0.45mm [0.018"] Ref.
- THICKNESS: 0.089mm ± 0.013mm [0.0035" ± 0.0005"]
- CYCLES RATED: UP TO 1M (Soldered)
- PRE-CONDITIONING: Actuate dome 10 times before inspection
- TEST FOLLOWS: ASTM F2592

**DRAWING PROVIDED FOR
CURRENT PART SPECIFICATIONS
"UNCONTROLLED COPY"**

A	RELEASE	8/30/2023	AC
REV.	DESCRIPTION:	DATE	NAME
FINISH: N-FL-PP-2S			
MATERIAL: Stainless Steel per Snaptron Spec. 2001			
GENERAL TOLERANCES:		.XX= ±0.13	PROJECTION:
		.XXX= N/A	
		ANG= N/A	
TITLE: SMD-Dome			
DRAWN	AC	DRAWING NO.	REV.
CHECKED	<i>[Signature]</i>	SG08450N-MASTER	A
APPROVED	<i>[Signature]</i>	SHEET 1 OF 2	
		THE COPYING, DISTRIBUTION, AND UTILIZATION OF THIS DOCUMENT AS WELL AS THE COMMUNICATION OF ITS CONTENTS TO OTHERS WITHOUT THE EXPRESS AUTHORIZATION OF SNAPTRON, INC. IS PROHIBITED. THIS IS A DIGITALLY MASTERED DRAWING. ALL REVISIONS MUST BE MADE USING THE ORIGINAL CAD DATA.	