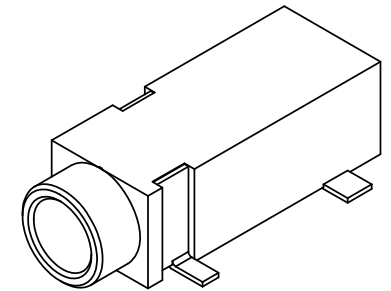
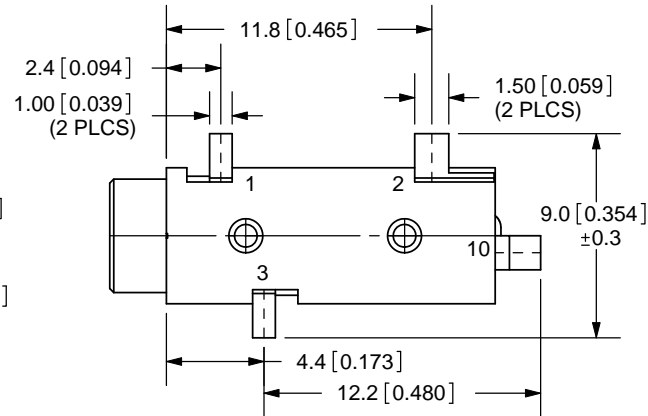
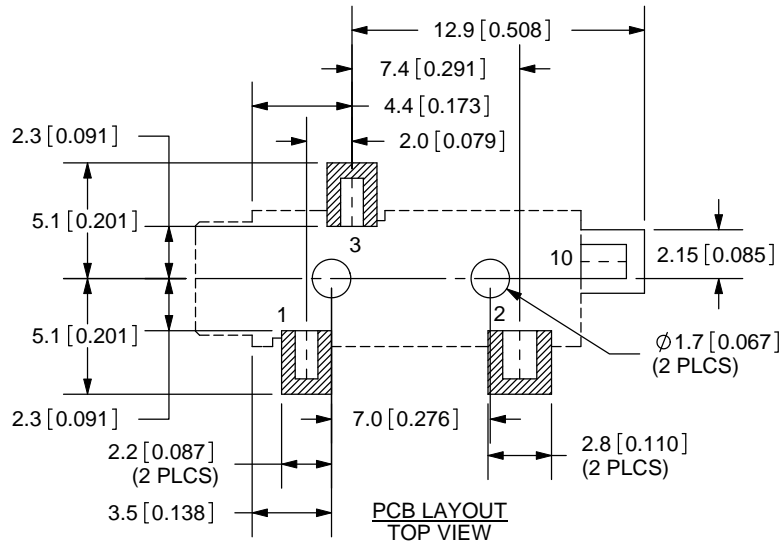
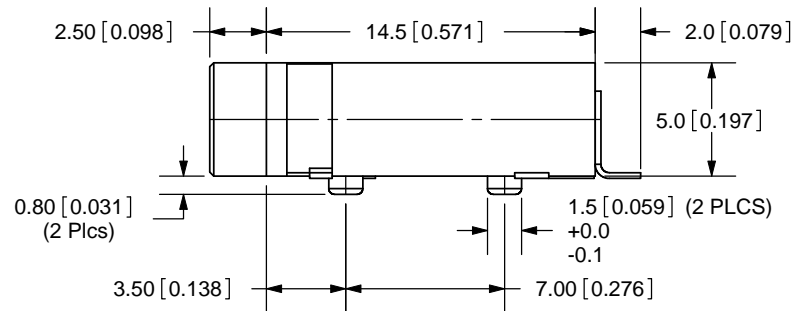
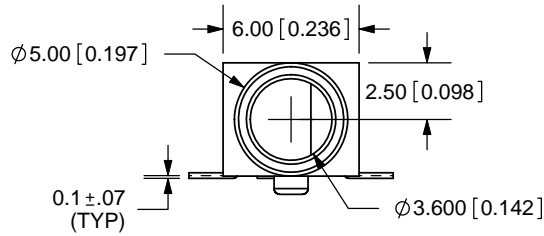


REV.	DESCRIPTION	DATE
B	Updated PCB layout	5/26/2006
C	Update Plastic Mold	12/18/07
D	added housing color options	4/30/2010



TOLERANCE:  
 X.X ±0.2mm  
 X.XX ±0.1mm  
 X.XXX ±0.05mm



MODEL NO.	SJ-3524-SMT
SCHEMATIC	

COLOR INDEX	
PART NO.	COLOR
SJ-3524-SMT	Black
SJ-3524-SMT-BE	Blue
SJ-3524-SMT-GR	Green
SJ-3524-SMT-PI	Pink



20050 SW 112th Ave.  
 Tualatin, OR 97062  
 Phone: 503-612-2300  
 800-275-4899  
 Fax: 503-612-2383  
 Website: www.cui.com

**SPECIFICATIONS:**  
 RATING: 12V DC @ 1A  
 CONTACT RESISTANCE: 30m OHMS MAX  
 INSULATION RESISTANCE: 50M OHMS MIN: 500V DC  
 VOLTAGE WITHSTAND: 500V AC R.M.S. FOR 1 MINUTE  
 LIFE: 5,000 CYCLES  
 OPERATING TEMP: -25° ~ +85°C

	MATERIAL	PLATING
TERMINALS 1-3	Copper Alloy	Silver
TERMINAL 10	Brass	Silver
HOUSING	PA6T	

TITLE:	3.5mm SURFACE MOUNT AUDIO JACK-STEREO	REV:	C
PART NO.	SJ-3524-SMT	UNITS:	MM [INCHES]
DRAWN BY:	ZRJ	APPROVED BY:	
		SCALE:	3:1

PC FILE NAME:  
 SJ-3524-SMT

COPYRIGHT 2010 BY CUI INC.