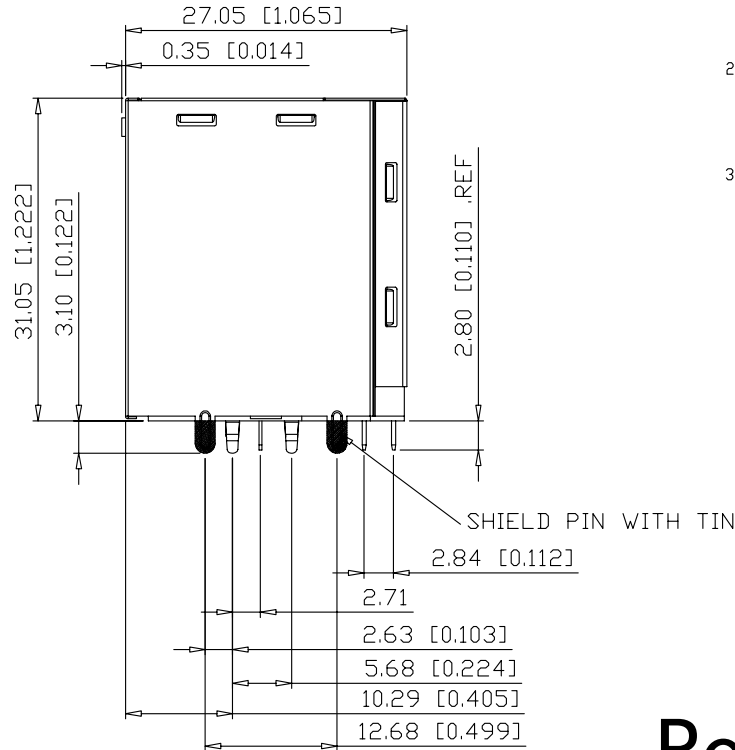
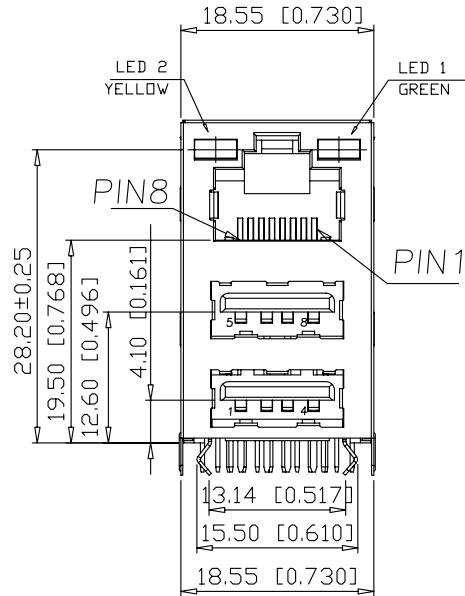
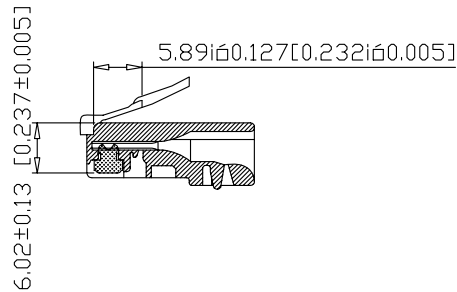


RevNo	Revision Note	Date	Signature	Checked
C	ENGINEERING RELEASE	02-15-08		

1. MECHANICAL DIMENSIONS :

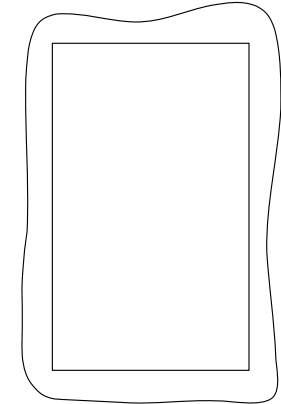


RECOMMENED PLUG DIMENSION:



NOTES:

- RJ45 MECHANICAL:**
 PLASTIC HOUSING: THERMOPLASTIC NYLON 46 BLACK
 FLAMMABILITY RATING UL 94V-0
 FRONT CONTACT: PHOSPHOR-BRONZE T=0.35mm
 30u" GOLD PLATING ON CONTACT AREA,
 OVER NICKEL PLATING ON ALL AREA,
 WITH TIN PLATING ON SOLDER AREA.
 BACK CONTACT: BRASS T=0.40mm±0.01
 NICKEL PLATING ON ALL AREA,
 WITH TIN PLATING ON SOLDER AREA.
 SHIELD: SUS T=0.20mm
- USB MECHANICAL:**
 CONTACT: PHOSPHOR-BRONZE T=0.25mm
 30" GOLD PLATING ON CONTACT AREA,
 OVER NICKEL PLATING ON ALL AREA,
 WITH TIN PLATING ON SOLDER AREA.
- OPERATION TEMPERATURE: 0°C ~ +70°C



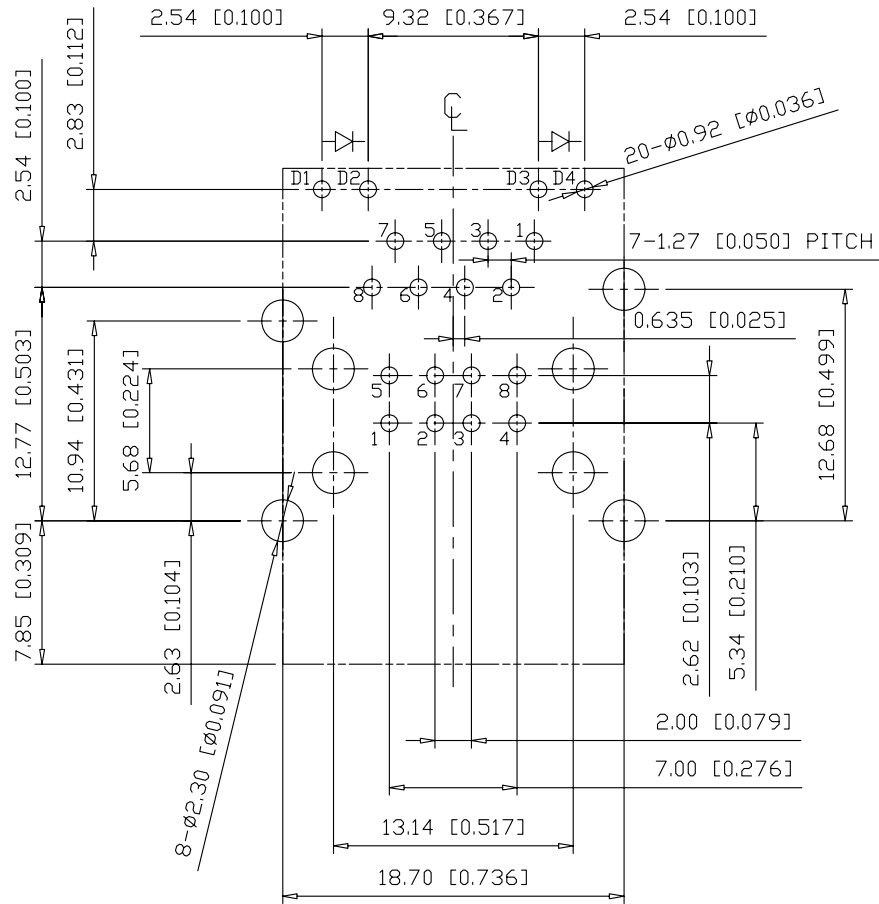
RECOMMENDED
PANEL CUTOUT DIMENSION

RoHS Compliant

GENERAL TOLERANCES (UNLESS SPECIFIED) DIMENSION STYLE : MM < INCH >	FINISH		PALCONN DIVISION OF PALPILOT		3000 KENNETH ST. SANTA CLARA, CA 95054 USA TEL: 1-408-855-8866 FAX: 1-408-855-8868	
	SEE NOTES					
	MATERIAL		SEE NOTES		TITLE	
4 PLACES ± --- ± ---	DRAWN BY		DATE		SINGLE PORT,RJ45,SHIELDED,WITH LED WITH TRANSFORMER,SIDE ENTRY PCB JACK	
3 PLACES ± --- ± ---	LHT		02-15-08		SIZE	DRAWING NO.
2 PLACES ± 0.25 ± 0.010	CHECKED BY		DATE		A3	PXM-XRJB-G70-1-D27-184
1 PLACES ± 0.30 ± 0.012	LUD		02-19-08		SCALE	SHEET
0 PLACES ± --- ± ---	APPROVED BY		DATE		NONE	1 OF 3
ANGULAR ± --'	LMZ		03-04-08			REV.
THIRD ANGLE PROJECTION						C

RevNo	Revision Note	Date	Signature	Checked
C	ENGINEERING RELEASE	02-20-08		

2. PCB LAYOUT :



SUGGESTED PCB LAYOUT
(TOP VIEW)

DIMENSIONAL TOLERANCE: .XX ±0.08[0.003]

3. LED CONFIGURATION :



Color	Lens Color	Vf(v) @20mA		Iv(mcd) @10mA		Viewing angle 2θ 1/2
		Min	Max	Min	Typ	
Yellow	Yellow Diffused	1.7	2.8	3.0	6.0	116
Green	Green Diffused	1.7	2.8	3.5	6.0	116

RoHS Compliant

GENERAL TOLERANCES (UNLESS SPECIFIED) DIMENSION STYLE : MM (INCH)	FINISH SEE NOTES		PALCONN DIVISION OF PALPILOT	3000 KENNETH ST. SANTA CLARA, CA 95054 USA TEL: 1-408-855-8866 FAX: 1-408-855-8868		
	MATERIAL SEE NOTES			TITLE SINGLE PORT,RJ45,SHIELDED,WITH LED WITH TRANSFORMER,SIDE ENTRY PCB JACK		
4 PLACES ± --- ± ---	MM	INCH	DRAWN BY LUD	DATE 02-20-08	SIZE A3	DRAWING NO. PXM-XRJB-G70-1-D27-184
3 PLACES ± --- ± ---			CHECKED BY LHT	DATE 02-20-08	SCALE NONE	SHEET 2 OF 3
2 PLACES ± 0.25 ± 0.010			APPROVED BY LMZ	DATE 03-04-08		REV. C
1 PLACES ± 0.30 ± 0.012						
0 PLACES ± --- ± ---						
ANGULAR ± ---						
THIRD ANGLE PROJECTION						

RevNo	Revision Note	Date	Signature	Checked
C	ENGINEERING RELEASE	02-20-08		

4. SCHEMATIC:

5. ELECTRICAL CHARACTERISTICS :

TEST NOTES:(25±5°C)

1.TR:(100KHz,0.1V);

PINS:(P1-P2):(J1-J2)=1:1±3%

PINS:(P3-P6):(J3-J6)=1:1±3%

2.LX:(100KHz,100mV,8mA, DC Bias)

PINS:(P1,P2),(P3,P6)=350uH MINIMUM

3.DCR:

PINS:(J1-J2),(J3-J6)= 1.2 OHMS MAXIMUM

4.HIPOT:

PINS(P1,P2)TO(J1,J2)=1500VAC FOR 60 SECONDS

PINS(P3,P6)TO(J3,J6)=1500VAC FOR 60 SECONDS

5.INSERTION LOSS:

-1.0dB MAXIMUM AT 0.3MHz TO 100MHz;

6.RETURN LOSS:

-20dB MINIMUM AT 1MHz TO 30MHz;

-15dB MINIMUM AT 30MHz TO 60MHz

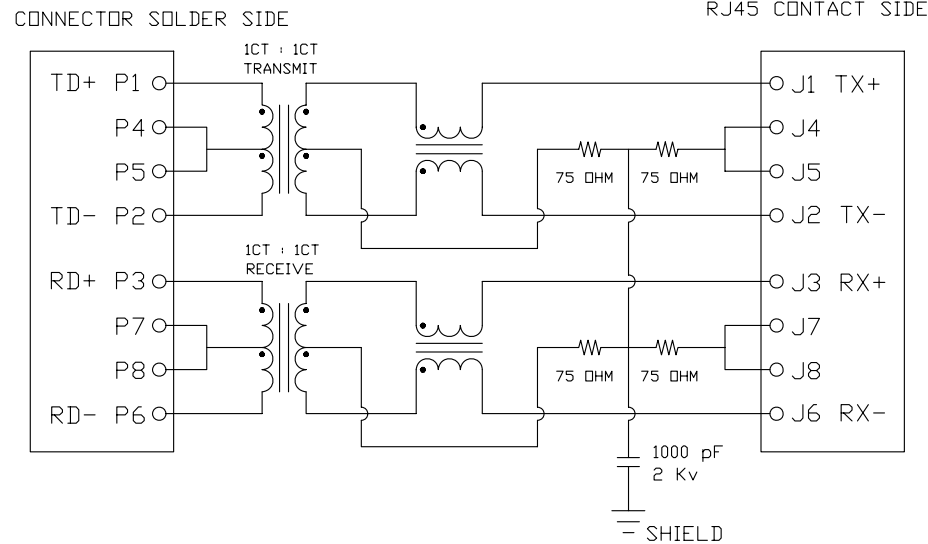
-10dB MINIMUM AT 60MHz TO 80MHz

7.CROSS TALK:

-30dB MINIMUM AT 1MHz TO 100MHz

8.COMMON TO COMMON MODE REJECTION:

-30dB MINIMUM AT 1MHz TO 100MHz



PXM-XRJB-G70-1-D27-184

PRODUCT SERIES
B : RJ45 OVER USB

MECHANICAL TYPE
G70 : RJ45 OVER DUAL USB
A TYPE, G7 SERIES.

LED COLOR OPTION

PROTOCOL TYPE
D : 10/100 Mbps, 4 CORE

CIRCUIT TYPE

SPECIAL CODE
4 : HOUSING MATERIAL - NYLON

SHIELDED TYPE
8 : NON-EMI FINGER

LED POLARITY
1 : +-, +-

RoHS Compliant

GENERAL TOLERANCES (UNLESS SPECIFIED)		FINISH SEE NOTES		PALCONN DIVISION OF PALPILOT		3000 KENNETH ST. SANTA CLARA, CA 95054 USA TEL: 1-408-855-8866 FAX: 1-408-855-8868	
DIMENSION STYLE : MM (INCH)		MATERIAL SEE NOTES					
4 PLACES	± --- ± ---	MM	INCH	DRAWN BY LUD	DATE 02-20-08	TITLE SINGLE PORT,RJ45,SHIELDED,WITH LED WITH TRANSFORMER,SIDE ENTRY PCB JACK	
3 PLACES	± --- ± ---			CHECKED BY LHT	DATE 02-20-08		
2 PLACES	± 0,25 ± 0,010			APPROVED BY LMZ	DATE 03-04-08	SIZE A3	DRAWING NO. PXM-XRJB-G70-1-D27-184
1 PLACES	± 0,30 ± 0,012			ANGULAR ± ---		SCALE NONE	SHEET 3 OF 3
0 PLACES	± --- ± ---			THIRD ANGLE PROJECTION		REV. C	