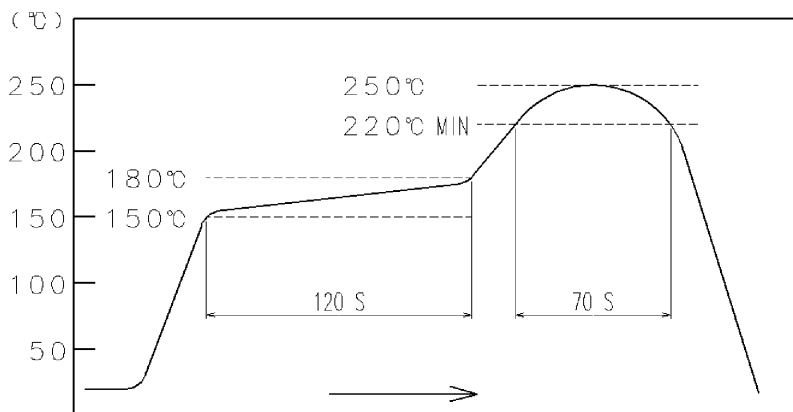


APPLICABLE STANDARD		USB2.0 SPECIFICATION AND MICRO-USB CABLES AND CONNECTORS SPECIFICATION.				
RATING	OPERATING TEMPERATURE RANGE	-30°C TO +85°C	STORAGE TEMPERATURE RANGE	-30°C TO +60°C		
	VOLTAGE	AC 30V	CURRENT	SIGNAL ONLY	1.0 A/pin	
				POWER APPLY	1.8 A/pin (PIN No.1,No.5) 0.5 A/pin (PIN No.2-No.4)	
SPECIFICATIONS						
ITEM		TEST METHOD		REQUIREMENTS	QT	AT
CONSTRUCTION						
GENERAL EXAMINATION		VISUALLY AND BY MEASURING INSTRUMENT.		ACCORDING TO DRAWING.	X	X
MARKING		CONFIRMED VISUALLY.			X	X
ELECTRICAL CHARACTERISTICS						
CONTACT RESISTANCE		100 mA (DC OR 1000 Hz).		30 mΩ MAX.	X	X
INSULATION RESISTANCE		500 V DC.		1000 MΩ MIN.	X	X
VOLTAGE PROOF		100 V AC FOR 1 min.		NO FLASHOVER OR BREAKDOWN.	X	X
CAPACITANCE		MEASURE ADJACENT TWO CONTACTS AT 1000±10Hz AC VOLTAGE.		2 pF MAX.	X	—
MECHANICAL CHARACTERISTICS						
INSERTION AND WITHDRAWAL FORCES		A MAXIMUM RATE OF 12.5 mm/min MEASURED BY APPLICABLE CONNECTOR.		INSERTION FORCE 35 N MAX. WITHDRAWAL FORCE 8 N MIN.	X	—
MECHANICAL OPERATION		10000 TIMES INSERTIONS AND EXTRACTIONS. MATING SPEED - MECHANICALLY OPERATED : 500 CYCLES / h - MANUALLY OPERATED : 200 CYCLES / h		1) CONTACT RESISTANCE: NO INCREASE OF MORE THAN 10 mΩ FROM INITIAL VALUE. 2) INSERTION FORCE 35 N MAX. WITHDRAWAL FORCE 8 N MIN. 3) NO DAMAGE, CRACK AND LOOSENESS OF PARTS.	X	—
VIBRATION		FREQUENCY 10 TO 55 Hz SINGLE AMPLITUDE 0.75 mm, AT 2h FOR 3 AXIAL DIRECTIONS, TOTAL 6 h.		1) NO ELECTRICAL DISCONTINUITY OF 1μs. 2) NO DAMAGE, CRACK AND LOOSENESS OF PARTS.	X	—
RANDOM VIBRATION		FREQUENCY 50 TO 2000 Hz AT 15 min FOR 3 AXIAL DIRECTIONS.			X	—
SHOCK		490 m/s ² DIRECTIONS OF PULSE 11 ms AT 3 TIMES FOR 6 DIRECTIONS, TOTAL 18 TIMES.			X	—
ENVIRONMENTAL CHARACTERISTICS						
THERMAL SHOCK		TEMP -55 → +15 TO +35 → +85 → +15 TO +35 °C TIME 30 → 2 TO 3 → 30 → 2 TO 3 min. UNDER 10 CYCLES. (MATING APPLICABLE CONNECTOR)		1) CONTACT RESISTANCE: 70 mΩ MAX. 2) INSULATION RESISTANCE: 10 MΩ MIN. 3) NO DAMAGE, CRACK AND LOOSENESS OF PARTS.	X	—
HUMIDITY LIFE		TEMPERATURE -10~+65 °C, HUMIDITY 90 TO 98 %, UNDER 7 CYCLES (168 h) (MATING APPLICABLE CONNECTOR)		NO DAMAGE, CRACK AND LOOSENESS OF PARTS.	X	—
DRY HEAT		EXPOSED AT +85±2 °C, 96 h. (MATING APPLICABLE CONNECTOR)		NO DAMAGE, CRACK AND LOOSENESS OF PARTS.	X	—
COLD		EXPOSED AT -40±2 °C, 96 h. (MATING APPLICABLE CONNECTOR)		NO DAMAGE, CRACK AND LOOSENESS OF PARTS.	X	—
CORROSION SALT MIST		EXPOSED AT 5 % SALT WATER, 35 °C, FOR 48h. (LEFT UNDER UNMATED CONDITION)		NO HEAVY CORROSION.	X	—
SOLDERABILITY		SOLDERING POINT IMMERSED IN SOLDER BATH OF 255±5°C, 5 sec. (USING TYPE R FLAX)		SOLDER SHALL COVER MINIMUM OF 95% OF THE SURFACE BEING IMMERSED.	X	—
	COUNT	DESCRIPTION OF REVISIONS	DESIGNED	CHECKED	DATE	
△						
REMARK				APPROVED	RI. TAKAYASU	11. 06. 20
HIROSE will not guarantee the performance on these specifications in case this product will be mated with the others which is not HIROSE's.				CHECKED	TA. ASO	11. 06. 20
Unless otherwise specified, refer to USB2.0 or EIA 364 .				DESIGNED	WR. YAMADA	11. 06. 20
				DRAWN	WR. YAMADA	11. 06. 20
Note QT:Qualification Test AT:Assurance Test X:Applicable Test			DRAWING NO.		ELC4-126992-02	
HRS	SPECIFICATION SHEET		PART NO.	ZX62WD1-B-5PC		
	HIROSE ELECTRIC CO., LTD.		CODE NO.	CL242-0121-3-00	△	1/2

SPECIFICATIONS

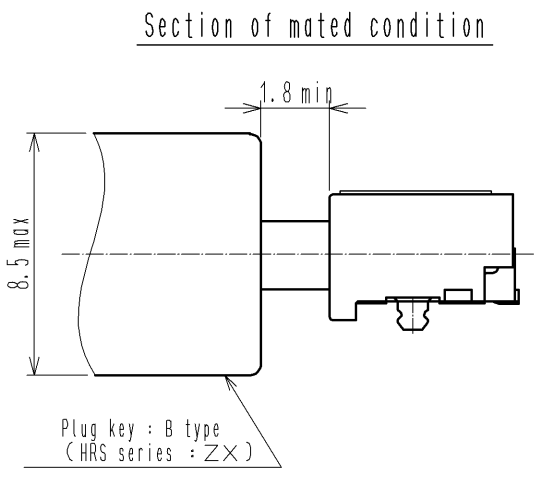
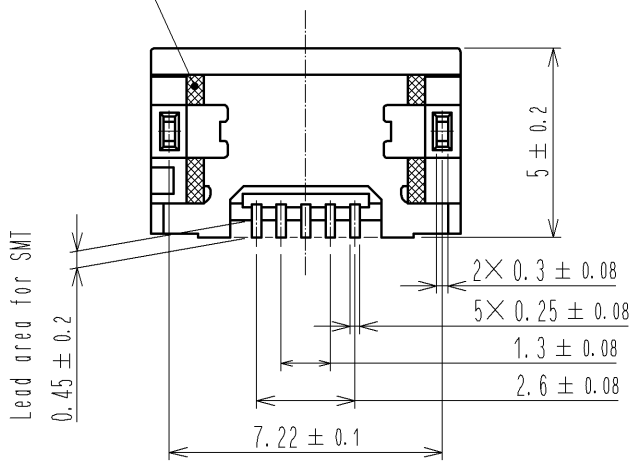
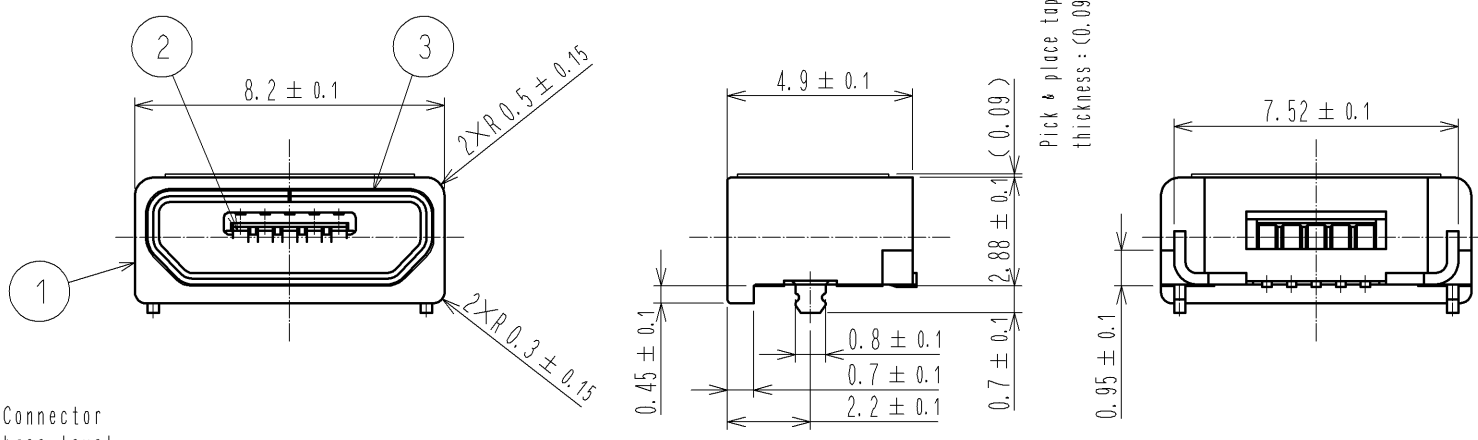
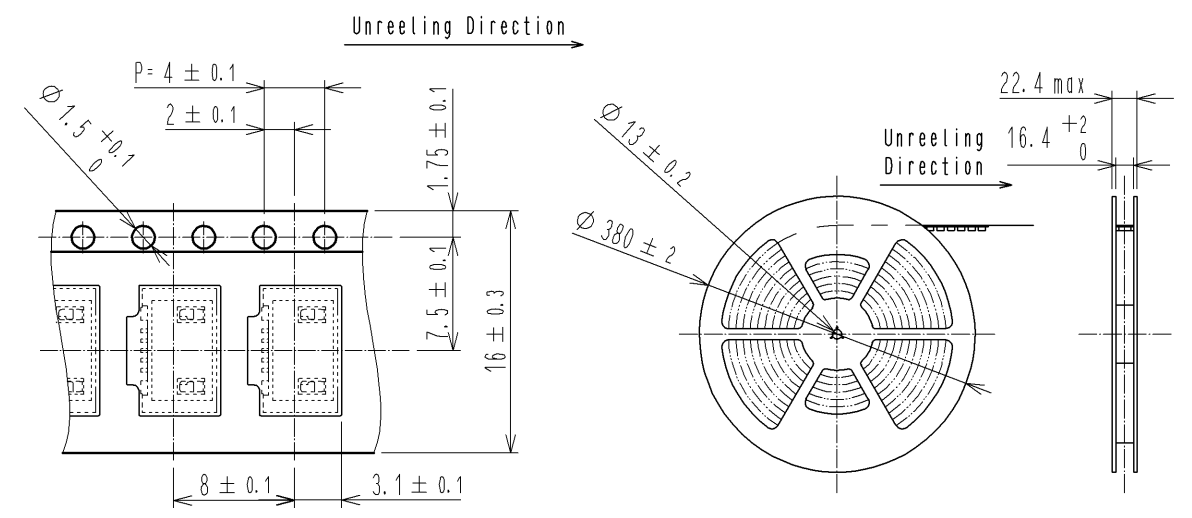
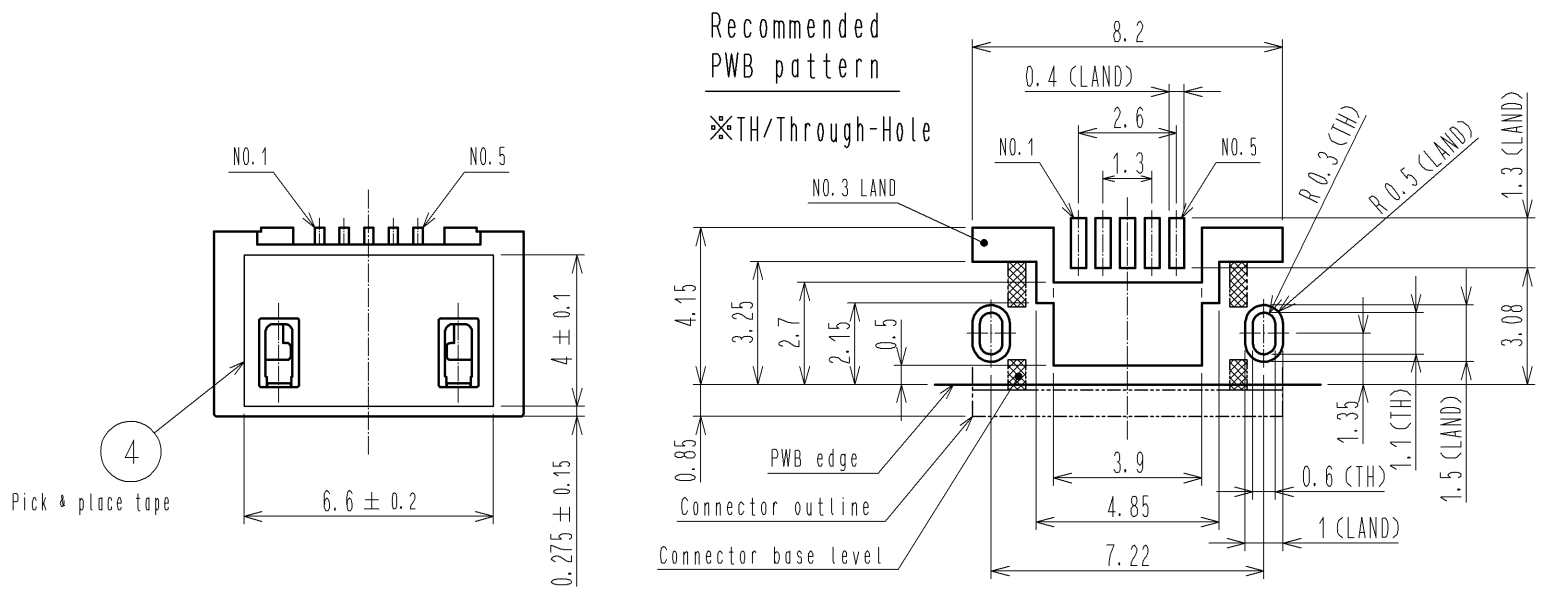
ITEM	TEST METHOD	REQUIREMENTS	QT	AT
RESISTANCE TO SOLDERING HEAT	A PROFILE IS SHOWN IN FIG-1, UNDRE 2 CYCLES.	NO DEFORMATION OR SIGNIFICANT LOOSENESS OF CONTACTS.	X	-



**FIG - 1 RESISTANCE TO SOLDERING HEAT
(TEMPERATURE AT TOP SURFACE OF CONNECTOR)**

Note QT:Qualification Test AT:Assurance Test X:Applicable Test		DRAWING NO. ELC4-126992-02	
HRS	SPECIFICATION SHEET	PART NO.	ZX62WD1-B-5PC
	HIROSE ELECTRIC CO., LTD.	CODE NO	CL242-0121-3-00
			2/2

Drawing for packing (FREE)



- Remark) 1. Co-planarity is within 0.08mm
 2. Plating
 Contact area: Palladium -Nickel 0.75um MIN + Gold 0.05um MIN
 Lead area: Gold 0.05um MIN
 Under plating: Nickel 2um MIN
 3. Opening area shape: Conform to USB2.0 standard
 4. Per reel: 3000 pcs

3	Stainless-Steel	Specialty surface finishing	6	PE	Top cover tape			
2	Copper-Alloy	2	5	PS	Embossed carrier tape			
1	LCP	Black UL94V-0	4	PI	Pick & place tape			
NO.	MATERIAL	FINISH . REMARKS	NO.	MATERIAL	FINISH . REMARKS			
UNITS	mm	SCALE	5 : 1	COUNT	DESCRIPTION OF REVISIONS	DESIGNED	CHECKED	DATE
APPROVED : RI. TAKAYASU		11.06.20		DRAWING NO.		EDC3-126992-02		
CHECKED : TA. ASO		11.06.20		PART NO.		ZX62WD1-B-5PC		
DESIGNED : WR. YAMADA		11.06.20		CODE NO.		CL242-0121-3-00		
DRAWN : WR. YAMADA		11.06.20				1/1		